

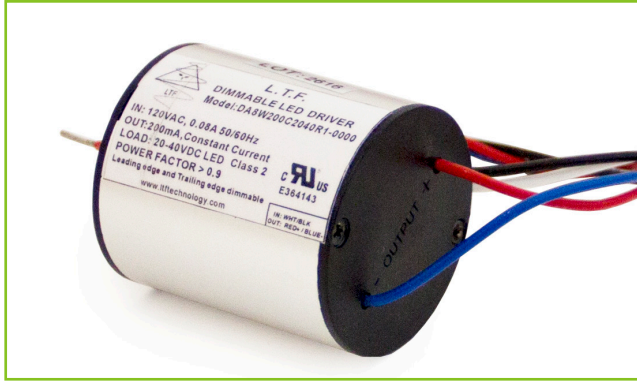


L.T.F

Dimmable Low Voltage UniDriver- CLASS 2



8W DS8W UniDriver 100-305V Series Constant Current



Efficiency	higher than 85%
Power Factor	>95%
Case TC	90°C Max.
Protection	Input / Output
Storage	-30°C / +90°C
Humidity	95% RH Max.
IP Rating	IP67
Class	Class 2 Power Supply
Dimming	Triac/ELV/0-10V



Intertek



RoHS



FCC Part 15
Class B compliant



FEATURES

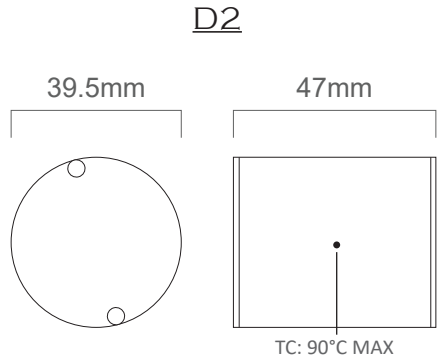
- All-In-One dimming capabilities; Triac, ELV, and 0-10V dimming
- Universal input voltage; 100-305V AC
- Isolated output power per NEC and UL safety requirements
- UL and ETL recognized/ Listed, UL8750, UL1310
- Auto-reset ; Short circuit, Overload and Thermal protection
- Superior thermal performance
- Aluminum case with high W/m.K encapsulating material
- Low profile, small form factor, junction box mountable
- < 30% flicker with excellent dimming range
- Class 2 power supply and other than Class 2 options
- Efficient, high power factor, low THD, FCC Class B

ELECTRICAL SPECIFICATIONS

Constant Current				
Model #	Input Voltage	Output Voltage	Output Current	Available Form Factors
DS8W200C2040UD	100-305V AC 50/60Hz > 0.90 PF < 20% THD	20-40VDC	200mA	D2

MECHANICAL SPECS.

Available Form Factors	Dimensions
"D2"	39.5mm (OD) x 47mm



LED Driver - DS Series - Class 2