



**L.T.F**

## All-In-One Dimmable LED UniDriver - CLASS 2

### 42W DS42W UniDriver 100-305V Series Constant Current



<b>Efficiency</b>	higher than 85%
<b>Power Factor</b>	>95%
<b>Case TC</b>	90°C Max.
<b>Protection</b>	Input / Output
<b>Storage</b>	-30°C / +90°C
<b>Humidity</b>	95% RH Max.
<b>IP Rating</b>	IP 67
<b>Class</b>	Class 2 Power Supply
<b>Dimming</b>	Triac/ELV/0-10V
<b>Output Voltage</b>	700mA-1400mA



**RoHS**



FCC Part 15  
Class B compliant



### FEATURES

- All-In-One dimming capabilities; Triac, ELV, and 0-10V dimming
- Universal input voltage; 100-305V AC
- Isolated output power per NEC and UL safety requirements
- UL recognized/ Listed, UL8750, UL1310
- Auto-reset ; Short circuit, Overload and Thermal protection
- Superior thermal performance
- Aluminum case with high W/m.K encapsulating material
- Low profile, small form factor, junction box mountable
- < 30% flicker with excellent dimming range
- Class 2 power supply and other than Class 2 options
- Efficient, high power factor, low THD, FCC Class B

### ELECTRICAL SPECIFICATIONS

Constant Current				
Model #	Input	Output Voltage	Output Current	Available Form Factors
DS42W700C3058UD	100-305V AC 50/60Hz > 0.90 PF < 20% THD	30V-58V DC	700 mA	BF2, SM2, LI2
DS42W1050C2040UD		20V-40V DC	1050 mA	BF2, SM2, LI2
DS42W1400C2030UD		20V-30V DC	1400 mA	BF2, SM2, LI2

Constant Voltage				
Model #	Input Voltage	Output Voltage	Output Current	Available Form Factors
DS42W12VUD	100-305V AC 50/60Hz 0.09 Amp	12VDC	3500 mA	LS3
DS42W24VUD		24VDC	1750 mA	LS3



LTF

L.T.F

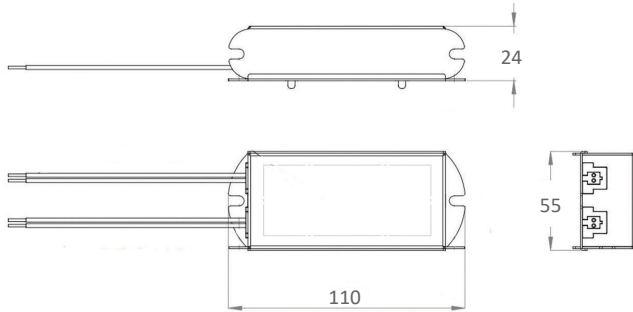


Remote Enclosure Option	
Model #	Remote Enclosure
LDS42WXXXRE	G1
LDS42WXXXREO	G4

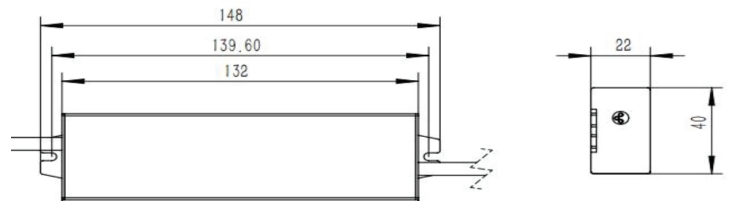
MECHANICAL SPECS.

Available Form Factors	Dimensions
"SM2"	110x55x24mm
"LI2"	132x40x22mm
"BF2"	95.3x25.4x44.5mm
"LS3"	282x30x20mm
"G2"	233.1x85.5x48.9mm
"G3"	280x103x56mm

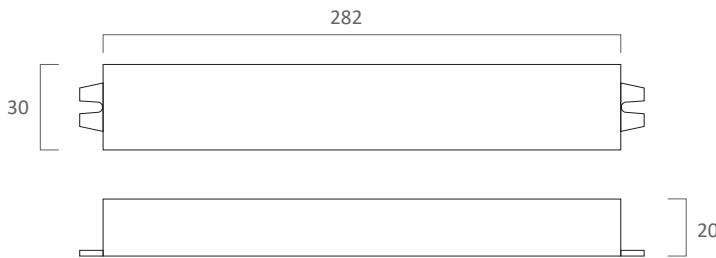
SM2



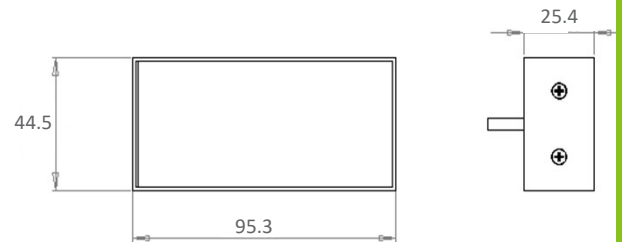
LI2



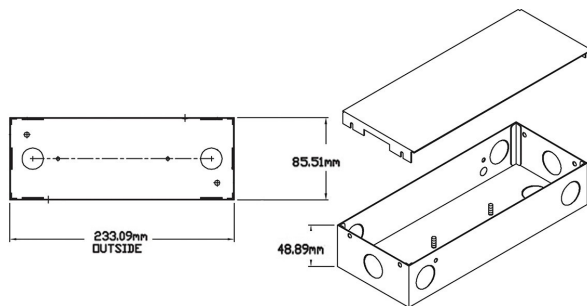
LS2



BF2



G2



G3

