

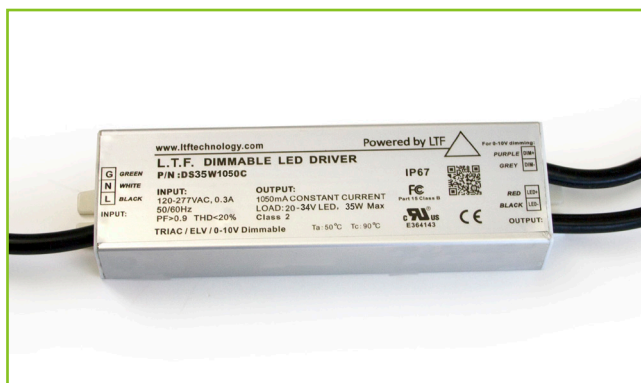


**L.T.F**

## All-In-One Dimmable LED UNIdriver - CLASS 2



### 35W DS35W UNIdriver 100-305V Series Constant Current



<b>Efficiency</b>	higher than 85%
<b>Power Factor</b>	>95%
<b>Case TC</b>	90°C Max.
<b>Protection</b>	Input / Output
<b>Storage</b>	-30°C / +90°C
<b>Humidity</b>	95% RH Max.
<b>IP Rating</b>	IP 67
<b>Class</b>	Class 2 Power Supply
<b>Dimming</b>	Triac/ELV/0-10V
<b>Output Voltage</b>	700mA-2100mA



**RoHS**



FCC Part 15  
Class B compliant



### FEATURES

- All-In-One dimming capabilities; Triac, ELV, and 0-10V dimming
- Universal input voltage; 100-305V AC
- Isolated output power per NEC and UL safety requirements
- UL recognized/ Listed, UL8750, UL1310
- Auto-reset ; Short circuit, Overload and Thermal protection
- Superior thermal performance
- Aluminum case with high W/m.K encapsulating material
- Low profile, small form factor, junction box mountable
- < 30% flicker with excellent dimming range
- Class 2 power supply and other than Class 2 options
- Efficient, high power factor, low THD, FCC Class B

### ELECTRICAL SPECIFICATIONS

Constant Current				
Model #	Input	Output Voltage	Output Current	Available Form Factors
DS35W700C3050UD	100-305V AC 50/60Hz > 0.90 PF < 20% THD	30V-50V DC	700 mA	BF2, SM2, LI2, F3
DS35W750C3046UD		30V-46VDC	750mA	BF2, SM2, LI2, F3
DS35W1000C2035UD		20V-35V DC	1000 mA	BF2, SM2, LI2, F3
DS35W1050C2034UD		20V-34V DC	1050 mA	BF2, SM2, LI2, F3
DS35W1100C2031UD		20V-31V DC	1100 mA	BF2, SM2, LI2, F3
DS35W1400C1525UD		15V-25V DC	1400 mA	BF2, SM2, LI2, F3
DS35W2100C1016UD		10V-16.5V DC	2100 mA	BF2, SM2, LI2, F3



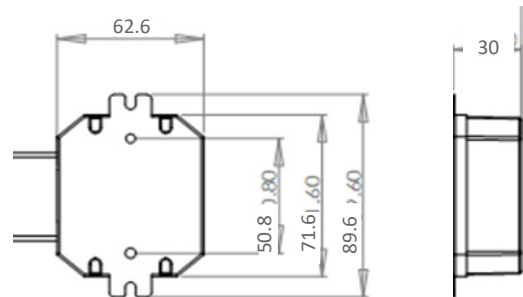
Constant Voltage				
Model #	Input Voltage	Output Voltage	Output Current	Available Form Factors
DS35W12VUD	100-305V AC 50/60Hz > 0.90 PF < 20% THD	12VDC	2916 mA	LS1
DS35W24VUD		24VDC	1458 mA	LS1

Remote Enclosure Option	
Model #	Remote Enclosure
LDS35WXXXXRE	G1
LDS35WXXXXREO	G4

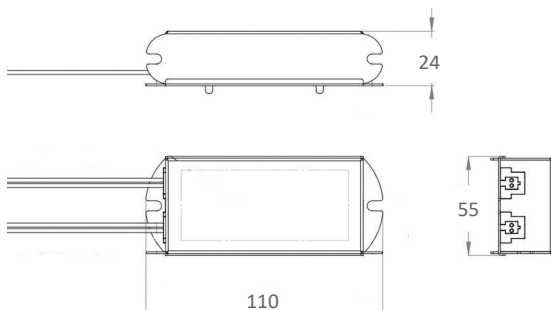
MECHANICAL SPECS.

Available Form Factors	Dimensions
"F3"	71.6x62.6x30mm
"SM2"	110x55x24mm
"LI2"	132x40x22mm
"BF2"	95.3x25.4x44.5mm
"G2"	233.1x85.5x48.9mm
"G3"	280x103x56mm

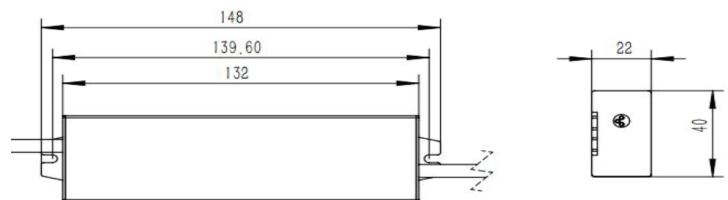
F3



SM2

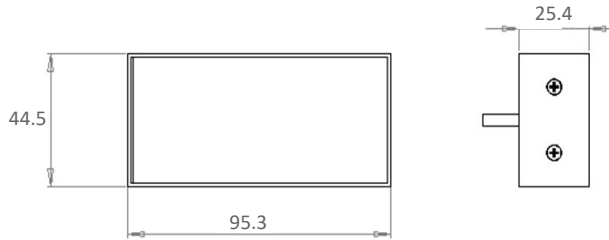


LI2

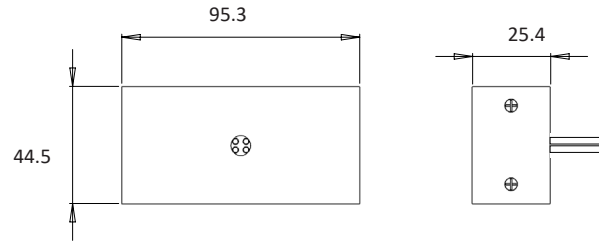




BF2\*



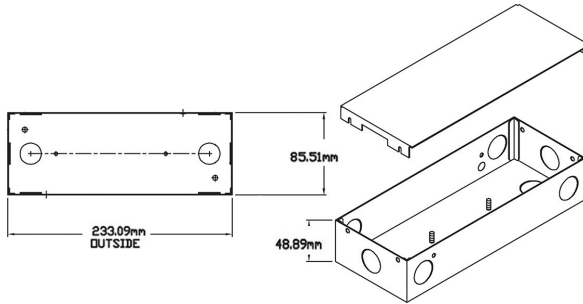
BF1\*\*



\* With 13mm mounting studs

\*\* Without 13mm mounting studs

G2



G3

