



L.T.F

Dimmable Low Voltage UniDriver- CLASS 2

18W DS18WUD UniDriver 100-305V Series Constant Current



Efficiency	higher than 85%
Power Factor	>95%
Case TC	90°C Max.
Protection	Input / Output
Storage	-30°C / +90°C
Humidity	95% RH Max.
IP Rating	IP 67
Class	Class 2 Power Supply
Dimming	Triac/ELV/0-10V



RoHS



FCC Part 15
Class B compliant



FEATURES

- All-In-One dimming capabilities; Triac, ELV, and 0-10V dimming
- Universal input voltage; 100-305V AC
- Isolated output power per NEC and UL safety requirements
- UL recognized/ Listed, UL8750, UL1310
- Auto-reset ; Short circuit, Overload and Thermal protection
- Superior thermal performance
- Aluminum case with high W/m.K encapsulating material
- Low profile, small form factor, junction box mountable
- < 30% flicker with excellent dimming range
- Class 2 power supply and other than Class 2 options
- Efficient, high power factor, low THD, FCC Class B

ELECTRICAL SPECIFICATIONS

Constant Current				
Model #	Input	Output Voltage	Output Current	Available Form Factors
DS18W440C2040UD	100-305V AC 50/60Hz 0.09 Amp > 0.90 PF < 20% THD	20V-40VDC	440mA	E, BF1, LI1, F3

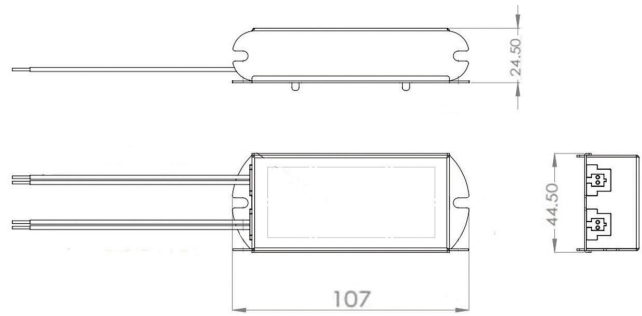
Remote Enclosure Option	
Model #	Remote Enclosure
LDS18WXXXXRE	G1
LDS18WXXXXREO	G4



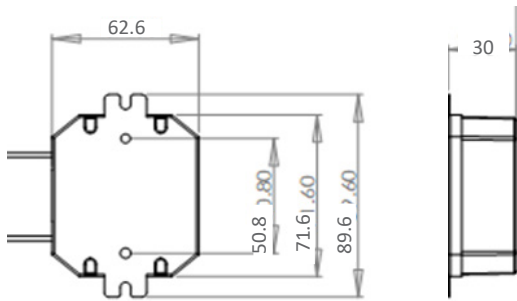
MECHANICAL SPECS.

Available Form Factors	Dimensions
"SM1"	68x40x22mm
"F3"	71.6x62.6x30mm
"LI2"	242x30x20mm
"BF"	77.4x39x25mm
"BF1"	77.4x39x25mm
"G1"	207X50.8X43mm
"G4"	238X66X48mm

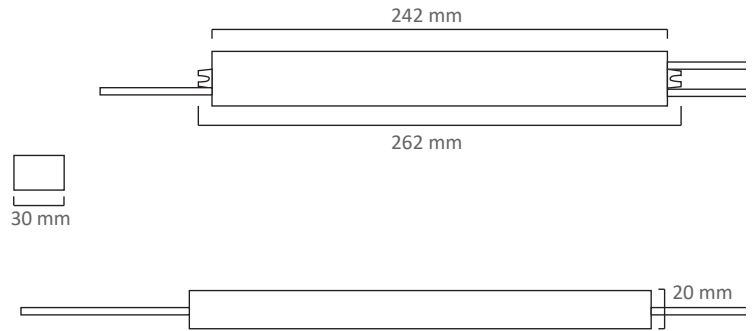
SM1



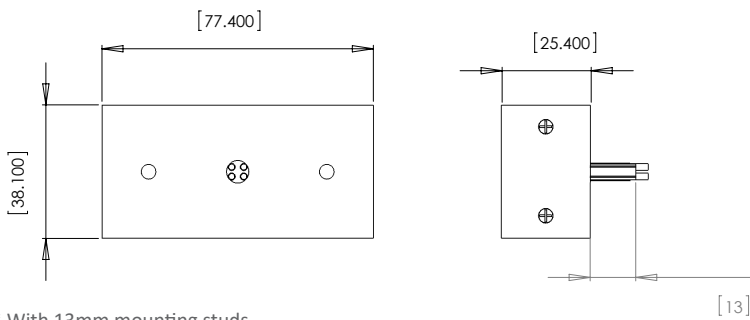
F3



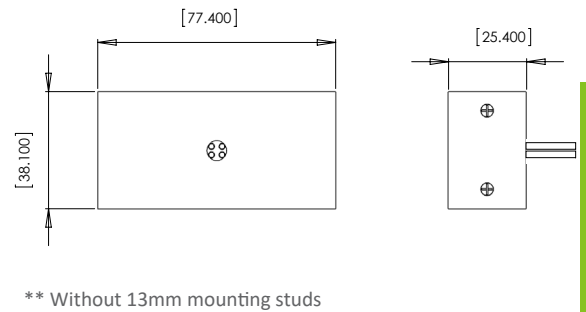
LI2



BF*



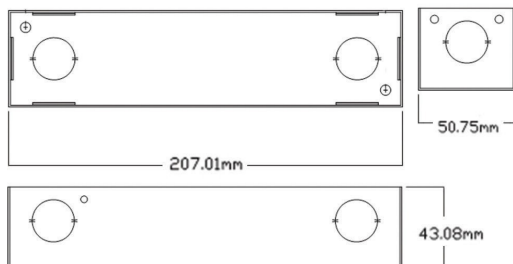
BF1**



* With 13mm mounting studs

** Without 13mm mounting studs

G1



G4

