



L.T.F

Dimmable Low Voltage LED Driver- CLASS 2

11W DS11W-3001 UniDriver 100-277V Series

Constant Current



UNIDRIVER



Efficiency	> 80%
Power Factor	>90%
Case TC	90C° Max.
Protection	Input / Output
Storage	-30°C / +90°C
Humidity	95% RH Max.
IP Rating	IP 44
Class	Class 2 Power Supply
Dimming	0-10V, TRIAC, ELV



FEATURES

- Universal dimmable; 0-10V, TRIAC, and ELV
- Universal input voltage; 100-277V AC
- Exceeds Title 24 requirements
- Isolated output power per NEC & UL safety requirements
- UL Recognized, Listed UL8750, UL1310
- Auto-reset ; Short circuit, Overload and Thermal protection
- Superior thermal performance
- Aluminum case, high W/m.K encapsulating material
- Low profile, small form factor.
- Class 2 power supply and non-Class 2 options
- Efficient, high power factor, low THD.
- Constant Current and Constant Voltage models

ELECTRICAL SPECIFICATIONS

Constant Current				
Model #	Input	Output Voltage	Output Current	Available Form Factors
DS11W250C2944D010-3001	100-277V AC, 0.13A 60Hz	29-44V DC	250mA	T11
DS11W270C2641D010-3001	100-277V AC, 0.13A 60Hz	26-41V DC	270mA	T11
DS11W350C1732D010-3001	100-277V AC, 0.13A 60Hz	17-32V DC	350mA	T11
DS11W400C1328D010-3001	100-277V AC, 0.13A 60Hz	13-28V DC	400mA	T11
DS11W450C1025D010-3001	100-277V AC, 0.13A 60Hz	10-25V DC	450mA	T11
DS11W500C0722D010-3001	100-277V AC, 0.13A 60Hz	7-22V DC	500mA	T11
DS11W600C0419D010-3001	100-277V AC, 0.13A 60Hz	4-19V DC	600mA	T11

* Ask for more information



L.T.F

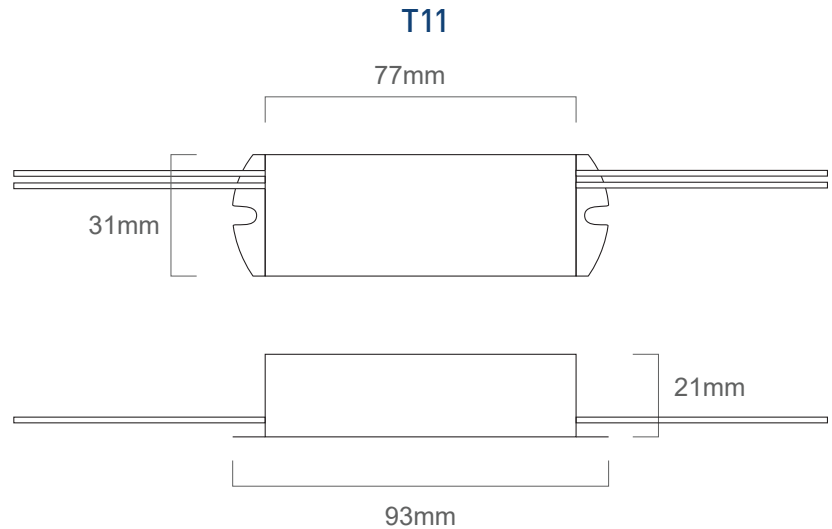
Dimmable Low Voltage LED Driver- CLASS 2

**11W DS11W-3001 100-277V Series
Constant Current**



MECHANICAL SPECS

Available Form Factors	Dimensions
"T11"	93 (77) x 31 x 21mm



REMOTE ENCLOSURES - UL LISTED

Model	Enclosure Type	Enclosure Dimensions
DS11W350C1542D010RE-3001	G1 (Damp Rated)	207x51x43mm
DS11W350C1542D010REO-3001	G4 (Wet Rated)	238x66x48mm

