



# L.T.F

## Dimmable Low Voltage LED Driver - CLASS 2

**6W AC-DC Constant Current (180-1000mA)  
DL & LDL Series 12V-24V Input Voltage**



<b>Efficiency</b>	higher than 80%
<b>Power Factor</b>	>95%
<b>Case TC*</b>	90°C Max.
<b>Protection</b>	Input / Output
<b>Storage</b>	-30°C / +90°C
<b>Humidity</b>	95% RH Max.
<b>IP Rating</b>	IP 65
<b>Class</b>	Class 2 power supply
<b>Dimming</b>	Dimmable



### FEATURES

- Externely small Low Voltage LED driver
- High performance fully dimmable
- Excelent choice to integrate in Low Voltage LED fixtures
- Isolated output power per NEC and UL safety requirements
- ETL recognized/ Listed\*, meets UL 8750, 1310 requirements
- Auto-reset ; Short circuit, Overload and Thermal protection
- Rated for 12-24V magnetic and electronic transformers
- Dimmable with ELV , and Magnetic LV type dimmers
- Aluminum casing for optimal heat dissipation
- Low profile, small form factor, junction box mountable
- Flicker free dimming
- Class 2 power supply
- Efficient, High power factor

### ELECTRICAL SPECIFICATIONS

12V Input							
Model #	Input Voltage	Input Current	Output Voltage	Output Current	Power Factor	Max. TC	Dimension
DL16W180C	12V AC / DC 0-35KHz	0.5 A	18-33V DC	180 mA	0.80	90C°	25x12.2 mm
DL16W200C	12V AC / DC 0-35KHz	0.5 A	18-30V DC	200 mA	0.80	90C°	25x12.2 mm
DL16W320C	12V AC / DC 0-35KHz	0.5 A	10-19V DC	320 mA	0.80	90C°	25x12.2 mm
DL16W350C	12V AC / DC 0-35KHz	0.5 A	10-17V DC	350 mA	0.80	90C°	25x12.2 mm
DL16W480C	12V AC / DC 0-35KHz	0.5 A	05-13V DC	480 mA	0.80	90C°	25x12.2 mm
DL16W520C	12V AC / DC 0-35KHz	0.5 A	05-12V DC	520 mA	0.80	90C°	25x12.2 mm
DL16W580C	12V AC / DC 0-35KHz	0.5 A	05-11V DC	580 mA	0.80	90C°	25x12.2 mm
DL16W600C	12V AC / DC 0-35KHz	0.5 A	05-10V DC	600 mA	0.80	90C°	25x12.2 mm
DL16W680C	12V AC / DC 0-35KHz	0.5 A	05-9V DC	680 mA	0.80	90C°	25x12.2 mm
DL16W700C	12V AC / DC 0-35KHz	0.5 A	05-8.5V DC	700 mA	0.80	90C°	25x12.2 mm
DL16W780C	12V AC / DC 0-35KHz	0.5 A	05-8V DC	780 mA	0.80	90C°	25x12.2 mm
DL16W850C	12V AC / DC 0-35KHz	0.5 A	05-7V DC	850 mA	0.80	90C°	25x12.2 mm
DL16W1000C	12V AC / DC 0-35KHz	0.5 A	05-6V DC	1000 mA	0.80	90C°	25x12.2 mm

\* Under confirmed thermal condition \*\*Pending

Dimmable Low Voltage LED Driver - CLASS 2



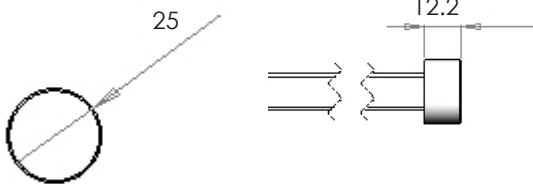
24V Input							
Model #	Input Voltage	Input Current	Output Voltage	Output Current	Power Factor	Max. TC	Dimension
DL26W180C	24V AC / DC 0-35KHz	0.25 A	18-33V DC	180 mA	0.80	90C°	25x12.2 mm
DL26W200C	24V AC / DC 0-35KHz	0.25 A	18-30V DC	200 mA	0.80	90C°	25x12.2 mm
DL26W320C	24V AC / DC 0-35KHz	0.25 A	10-19V DC	320 mA	0.80	90C°	25x12.2 mm
DL26W350C	24V AC / DC 0-35KHz	0.25 A	10-17V DC	350 mA	0.80	90C°	25x12.2 mm
DL26W480C	24V AC / DC 0-35KHz	0.25 A	05-13V DC	480 mA	0.80	90C°	25x12.2 mm
DL26W520C	24V AC / DC 0-35KHz	0.25 A	05-12V DC	520 mA	0.80	90C°	25x12.2 mm
DL26W580C	24V AC / DC 0-35KHz	0.25 A	05-11V DC	580 mA	0.80	90C°	25x12.2 mm
DL26W600C	24V AC / DC 0-35KHz	0.25 A	05-10V DC	600 mA	0.80	90C°	25x12.2 mm
DL26W680C	24V AC / DC 0-35KHz	0.25 A	05-9V DC	680 mA	0.80	90C°	25x12.2 mm
DL26W700C	24V AC / DC 0-35KHz	0.25 A	05-8.5V DC	700 mA	0.80	90C°	25x12.2 mm
DL26W780C	24V AC / DC 0-35KHz	0.25 A	05-8V DC	780 mA	0.80	90C°	25x12.2 mm
DL26W850C	24V AC / DC 0-35KHz	0.25 A	05-7V DC	850 mA	0.80	90C°	25x12.2 mm
DL26W1000C	24V AC / DC 0-35KHz	0.25 A	05-6V DC	1000 mA	0.80	90C°	25x12.2 mm

Above models are also available as listed drivers (LD series) with external enclosure for remote mounting applications.

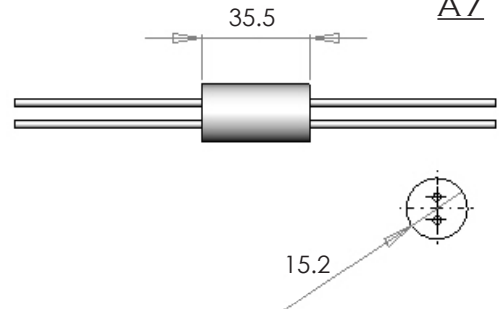
MECHANICAL SPECS.

"A6"	25x12.2 mm
"A7"	35.5x15.2 mm
"A8"	39.2x39.2x21.6 mm
"A9"	32x21x24 mm
Remote Enclosure	189.23x50.75x43.08 mm

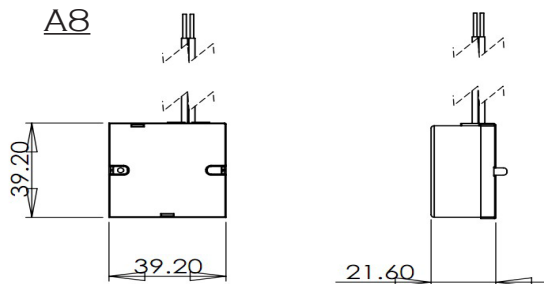
A6



A7



A8



A9

