



L.T.F

Dimmable Low Voltage LED Driver - CLASS 2



**80W DA80W 120V Series
24V Constant Voltage**



Efficiency	≥82%
Power Factor	>95%
Case TC	85C° Max.
Protection	Input / Output
Storage	-40°C / ~80°C
Humidity	95% RH Max.
IP Rating	IP 66
Class	Class 2 Power Supply
Dimming	Triac / ELV dimming



RoHS



FCC Part 15
Class B compliant



* Ask for more
Information

FEATURES

- Isolated output power per NEC and UL safety requirements
- UL recognized/ Listed, UL 8750, 1310
- Auto-reset ; Short circuit, Overload and Thermal protection
- Dimmable with ELV and Triac type dimmers
- Aluminum casing for optimal heat dissipation
- Low profile, small form factor
- Flicker free dimming and excellent dimming range
- Class 2 power supply
- Efficient, high power factor, low THD, FCC compliant

ELECTRICAL SPECIFICATIONS

Constant Voltage					
Model #	Input Voltage	Input Current	Output Voltage	Output Current	Available Form Factors
DA80W24VBL18	120V AC 50/60Hz	0.66 A	24.0 DC	3300mA	L18

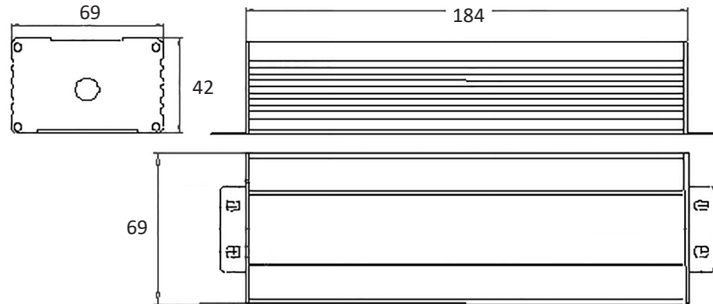
MECHANICAL SPECS.

Available Form Factors	Dimensions
"L18"	184x69x42mm
Remote Enclosure	
"G2"	233.1X85.5X48.9mm
"G3"	280X103X56mm

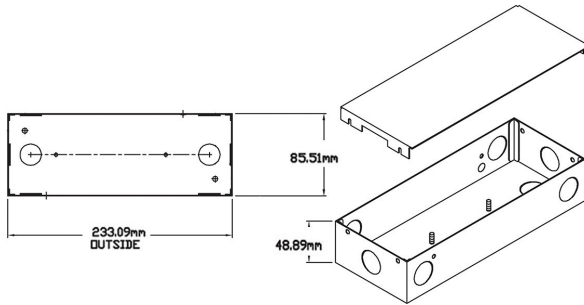
Dimmable Low Voltage LED Driver - CLASS 2 - DA80W



L18



G2



G3

