



# L.T.F

## Dimmable Low Voltage LED Driver - CLASS 2



### 6W DA6W 120V Series Constant Current / Constant Voltage



<b>Efficiency</b>	higher than 85%
<b>Power Factor</b>	>95%
<b>Case TC</b>	90°C Max.
<b>Protection</b>	Input / Output
<b>Storage</b>	-30°C / +90°C
<b>Humidity</b>	95% RH Max.
<b>IP Rating</b>	IP 60, 65, 67
<b>Class</b>	Class 2 Power Supply
<b>Dimming</b>	ELV & Triac Dimmable
<b>Optional Dimming</b>	0-10V



Intertek



**RoHS**



FCC Part 15  
Class B compliant



\* Ask for More Information

### FEATURES

- Isolated output power per NEC and UL safety requirements
- UL and ETL recognized/ Listed, UL 8750, 1310
- Auto-reset ; Short circuit, Overload and Thermal protection
- Dimmable with ELV and Triac type dimmers
- Aluminum casing for optimal heat dissipation
- Low profile, small form factor, junction box mountable
- Flicker free dimming and excellent dimming range
- Class 2 power supply and other than Class 2 options
- Efficient, high power factor, low THD, FCC compliant

### ELECTRICAL SPECIFICATIONS

Constant Current					
Model #	Input Voltage	Input Current	Output Voltage	Output Current	Available Form Factors
DA6W150C	120V AC 50/60Hz	0.05 A	40V DC	150 mA	A4, B5, D2
DA6W220C	120V AC 50/60Hz	0.05 A	27.3V DC	220 mA	A4, B5, D2
DA6W280C	120V AC 50/60Hz	0.05 A	21.5V DC	280 mA	A4, B5, D2
DA6W320C	120V AC 50/60Hz	0.05 A	18.7V DC	320 mA	A4, B5, D2
DA6W350C	120V AC 50/60Hz	0.05 A	18.0V DC	350 mA	A4, B5, D2
DA6W420C	120V AC 50/60Hz	0.05 A	14.3V DC	420 mA	A4, B5, D2
DA6W440C	120V AC 50/60Hz	0.05 A	13.6V DC	440 mA	A4, B5, D2
DA6W500C	120V AC 50/60Hz	0.05 A	12.0V DC	500 mA	A4, B5, D2
DA6W550C	120V AC 50/60Hz	0.05 A	11.0V DC	550 mA	A4, B5, D2
DA6W620C	120V AC 50/60Hz	0.05 A	9.7V DC	620 mA	A4, B5, D2
DA6W700C	120V AC 50/60Hz	0.05 A	8.6V DC	700 mA	A4, B5, D2
DA6W750C	120V AC 50/60Hz	0.05 A	8.0V DC	750 mA	A4, B5, D2
DA6W900C	120V AC 50/60Hz	0.05 A	6.7V DC	900 mA	A4, B5, D2
DA6W1000C	120V AC 50/60Hz	0.05 A	6.0V DC	1000 mA	A4, B5, D2

Dimmable Low Voltage LED Driver - CLASS 2 - DA6W



Constant Voltage					
Model #	Input Voltage	Input Current	Output Voltage	Output Current	Available Form Factors
DA6W12V	120V AC 50/60Hz	0.05 A	12V DC	500 mA	A4, B5, D2
DA6W24V	120V AC 50/60Hz	0.05 A	24V DC	250 mA	A4, B5, D2

Dimming Guide	
Model #	Dimming Code
(L) DA6WXXXX	Standard Dimming
(L) DA6WXXXXD010	0-10V Dimming
(L) DA6WXXXXDALI	DALI Dimming

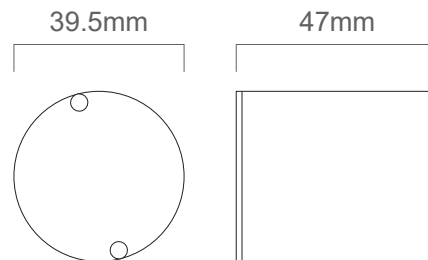
Remote Enclosure Option	
Model #	Remote Enclosure
LDA6WXXXXRE	G1
LDA6WXXXXREO	G4

### Mechanical Specs.

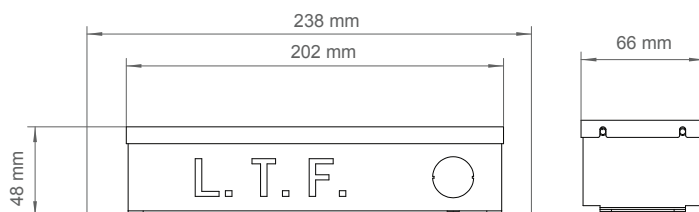
Available Form Factors	Dimensions
"A4"	68X31X21mm
"B5"	68X33X21mm
"D2"	39.5x47mm
"G1"	207X50.8X43mm
"G4"	238X66X48mm

\*\* D2 case is for standard dimming only.  
0-10V dimming case for D2 measures 75x39.5mm  
0-10V dimming not available in A4 case.

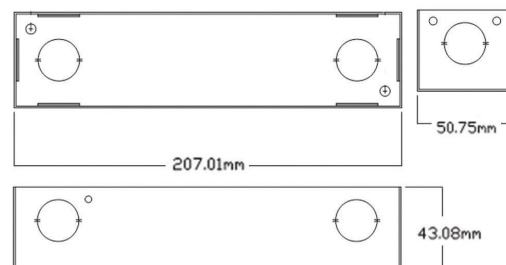
### D2\*\*



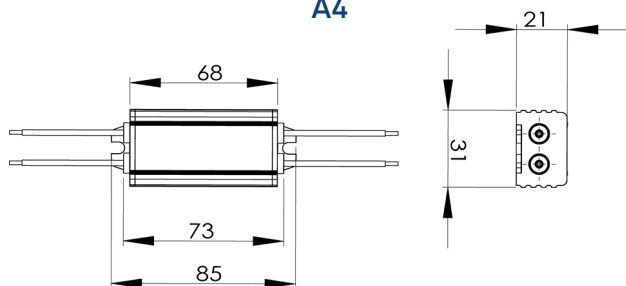
### G4



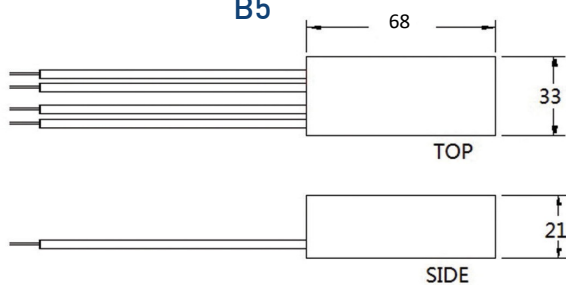
### G1



### A4



### B5





# L.T.F

## Dimmable Low Voltage LED Driver - CLASS 2



### 6W DE6W 277V Series Constant Current / Constant Voltage



<b>Efficiency</b>	higher than 85%
<b>Power Factor</b>	>95%
<b>Case TC</b>	90°C Max.
<b>Protection</b>	Input / Output
<b>Storage</b>	-30°C / +90°C
<b>Humidity</b>	95% RH Max.
<b>IP Rating</b>	IP 60, 65, 67
<b>Class</b>	Class 2 Power Supply
<b>Dimming</b>	ELV & Triac Dimmable
<b>Optional Dimming</b>	0-10V



Intertek



**RoHS**



FCC Part 15  
Class B compliant



\* Ask for More Information

### FEATURES

- Isolated output power per NEC and UL safety requirements
- UL and ETL recognized/ Listed, UL 8750, 1310
- Auto-reset ; Short circuit, Overload and Thermal protection
- Dimmable with ELV and Triac type dimmers
- Aluminum casing for optimal heat dissipation
- Low profile, small form factor, junction box mountable
- Flicker free dimming and excellent dimming range
- Class 2 power supply and other than Class 2 options
- Efficient, high power factor, low THD, FCC compliant

### ELECTRICAL SPECIFICATIONS

Constant Current					
Model #	Input Voltage	Input Current	Output Voltage	Output Current	Available Form Factors
DE6W150C	277V AC 50/60Hz	0.02 A	40V DC	150 mA	A4, B5, D2
DE6W220C	277V AC 50/60Hz	0.02 A	27.3V DC	220 mA	A4, B5, D2
DE6W280C	277V AC 50/60Hz	0.02 A	21.5V DC	280 mA	A4, B5, D2
DE6W320C	277V AC 50/60Hz	0.02 A	18.7V DC	320 mA	A4, B5, D2
DE6W350C	277V AC 50/60Hz	0.02 A	18.0V DC	350 mA	A4, B5, D2
DE6W420C	277V AC 50/60Hz	0.02 A	14.3V DC	420 mA	A4, B5, D2
DE6W440C	277V AC 50/60Hz	0.02 A	13.6V DC	440 mA	A4, B5, D2
DE6W500C	277V AC 50/60Hz	0.02 A	12.0V DC	500 mA	A4, B5, D2
DE6W550C	277V AC 50/60Hz	0.02 A	11.0V DC	550 mA	A4, B5, D2
DE6W620C	277V AC 50/60Hz	0.02 A	9.7V DC	620 mA	A4, B5, D2
DE6W700C	277V AC 50/60Hz	0.02 A	8.6V DC	700 mA	A4, B5, D2
DE6W750C	277V AC 50/60Hz	0.02 A	8.0V DC	750 mA	A4, B5, D2
DE6W900C	277V AC 50/60Hz	0.02 A	6.7V DC	900 mA	A4, B5, D2
DE6W1000C	277V AC 50/60Hz	0.02 A	6.0V DC	1000 mA	A4, B5, D2

Dimmable Low Voltage LED Driver - CLASS 2 - DE6W



Constant Voltage					
Model #	Input Voltage	Input Current	Output Voltage	Output Current	Available Form Factors
DE6W12V	277V AC 50/60Hz	0.02 A	12V DC	500 mA	A4, B5, D2
DE6W24V	277V AC 50/60Hz	0.02 A	24V DC	250 mA	A4, B5, D2

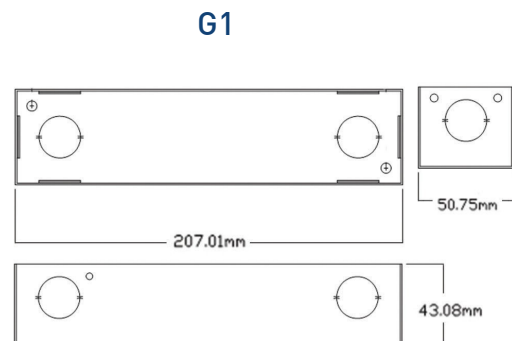
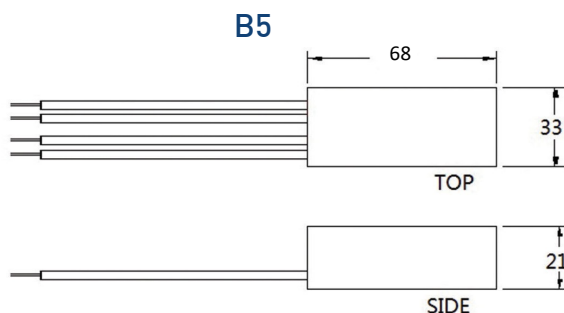
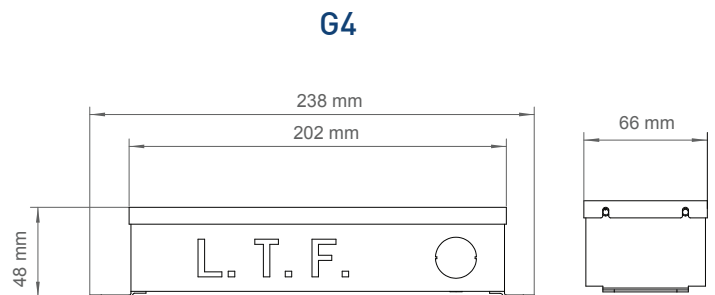
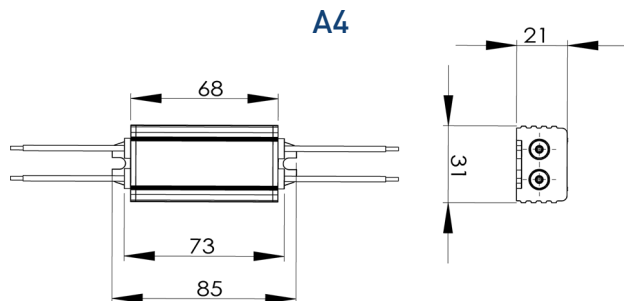
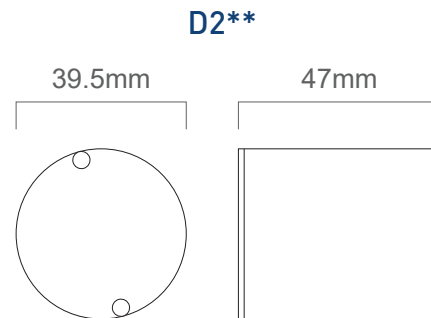
Dimming Guide	
Model #	Dimming Code
(L) DE6WXXXX	Standard Dimming
(L) DE6WXXXXD010	0-10V Dimming
(L) DE6WXXXXDALI	DALI Dimming

Remote Enclosure Option	
Model #	Remote Enclosure
LDE6WXXXXRE	G1
LDE6WXXXXREO	G4

### MECHANICAL SPECS.

Available Form Factors	Dimensions
"A4"	68X31X21mm
"B5"	68X33X21mm
"D2"	39.5x47mm
"G1"	207X50.8X43mm
"G4"	238X66X48mm

\*\* D2 case is for standard dimming only.  
0-10V dimming case for D2 measures 75x39.5mm  
0-10V dimming not available in A4 case.





**L.T.F**

## Dimmable Low Voltage LED Driver - CLASS 2



### 6W DU6W 220-240V Series Constant Current / Constant Voltage



Efficiency	higher than 85%
Power Factor	>95%
Case TC	90°C Max.
Protection	Input / Output
Storage	-30°C / +90°C
Humidity	95% RH Max.
IP Rating	IP 60, 65, 67
Class	Class 2 Power Supply
Dimming	ELV & Triac Dimmable
Optional Dimming	0-10V



Intertek



**RoHS**



FCC Part 15  
Class B compliant



\* Ask for More  
Information

### FEATURES

- Isolated output power per NEC and UL safety requirements
- UL and ETL recognized/ Listed, UL 8750, 1310
- Auto-reset ; Short circuit, Overload and Thermal protection
- Dimmable with ELV and Triac type dimmers
- Aluminum casing for optimal heat dissipation
- Low profile, small form factor, junction box mountable
- Flicker free dimming and excellent dimming range
- Class 2 power supply and other than Class 2 options
- Efficient, high power factor, low THD, FCC compliant

### ELECTRICAL SPECIFICATIONS

Constant Current					
Model #	Input Voltage	Input Current	Output Voltage	Output Current	Available Form Factors
DU6W150C	220-240V AC 50/60Hz	0.03 A	40V DC	150 mA	A4, B5, D2
DU6W220C	220-240V AC 50/60Hz	0.03 A	27.3V DC	220 mA	A4, B5, D2
DU6W280C	220-240V AC 50/60Hz	0.03 A	21.5V DC	280 mA	A4, B5, D2
DU6W320C	220-240V AC 50/60Hz	0.03 A	18.7V DC	320 mA	A4, B5, D2
DU6W350C	220-240V AC 50/60Hz	0.03 A	18.0V DC	350 mA	A4, B5, D2
DU6W420C	220-240V AC 50/60Hz	0.03 A	14.3V DC	420 mA	A4, B5, D2
DU6W440C	220-240V AC 50/60Hz	0.03 A	13.6V DC	440 mA	A4, B5, D2
DU6W500C	220-240V AC 50/60Hz	0.03 A	12.0V DC	500 mA	A4, B5, D2
DU6W550C	220-240V AC 50/60Hz	0.03 A	11.0V DC	550 mA	A4, B5, D2
DU6W620C	220-240V AC 50/60Hz	0.03 A	9.7V DC	620 mA	A4, B5, D2
DU6W700C	220-240V AC 50/60Hz	0.03 A	8.6V DC	700 mA	A4, B5, D2
DU6W750C	220-240V AC 50/60Hz	0.03 A	8.0V DC	750 mA	A4, B5, D2
DU6W900C	220-240V AC 50/60Hz	0.03 A	6.7V DC	900 mA	A4, B5, D2
DU6W1000C	220-240V AC 50/60Hz	0.03 A	6.0V DC	1000 mA	A4, B5, D2

Dimmable Low Voltage LED Driver - CLASS 2 - DU6W



Constant Voltage					
Model #	Input Voltage	Input Current	Output Voltage	Output Current	Available Form Factors
DU6W12V	220-240V AC 50/60Hz	0.03 A	12.0 DC	500 mA	A4, B5, D2
DU6W24V	220-240V AC 50/60Hz	0.03 A	24.0 DC	250 mA	A4, B5, D2

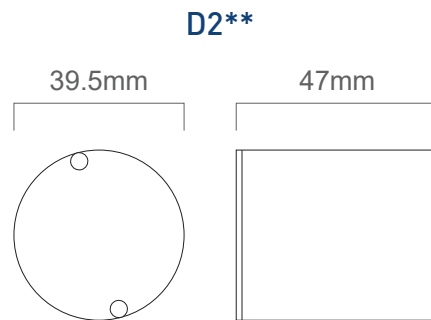
Dimming Guide	
Model #	Dimming Code
(L) DU6WXXXX	Standard Dimming
(L) DU6WXXXXD010	0-10V Dimming
(L) DU6WXXXXDALI	DALI Dimming

Remote Enclosure Option	
Model #	Remote Enclosure
LDU6WXXXXRE	G1
LDU6WXXXXREO	G4

**MECHANICAL SPECS**

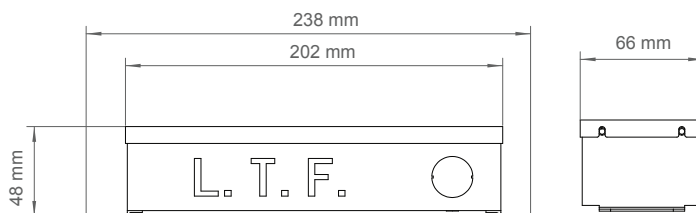
Available Form Factors	Dimensions
"A4"	68X31X21mm
"B5"	68X33X21mm
"D2"	39.5x47mm
"G1"	207X50.8X43mm
"G4"	238X66X48mm

\*\* D2 case is for standard dimming only.  
 0-10V dimming case for D2 measures 75x39.5mm  
 0-10V dimming not available in A4 case.

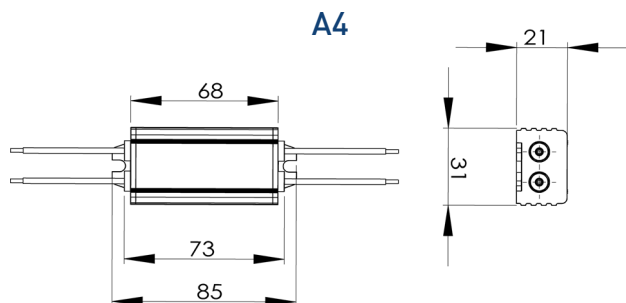


D2\*\*

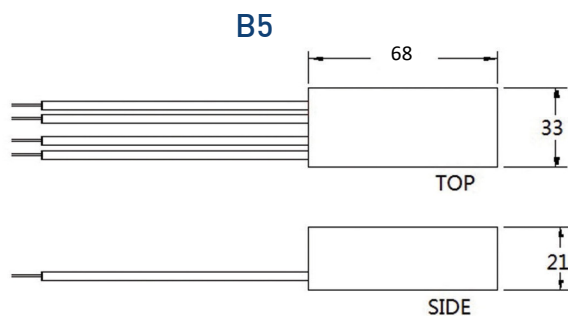
G4



G1



A4



B5

