



# L.T.F

## Dimmable Low Voltage LED Driver - CLASS 2



### 45W DA45W 120V Series Constant Current / Constant Voltage



<b>Efficiency</b>	higher than 85%
<b>Power Factor</b>	>95%
<b>Case TC</b>	90°C Max.
<b>Protection</b>	Input / Output
<b>Storage</b>	-30°C / +90°C
<b>Humidity</b>	95% RH Max.
<b>IP Rating</b>	IP 60, 65, 67
<b>Class</b>	Class 2 Power Supply
<b>Dimming</b>	ELV & Triac Dimmable
<b>Optional Dim.</b>	0-10V
<b>Optional Dim.</b>	DALI



Intertek



**RoHS**



FCC Part 15  
Class B compliant



\* Ask for more  
Information

### FEATURES

- Isolated output power per NEC and UL safety requirements
- UL and ETL recognized/ Listed, UL 8750, 1310
- Auto-reset ; Short circuit, Overload and Thermal protection
- Dimmable with ELV and Triac type dimmers
- Aluminum casing for optimal heat dissipation
- Low profile, small form factor, junction box mountable
- Flicker free dimming and excellent dimming range
- Class 2 power supply and other than Class 2 options
- Efficient, high power factor, low THD, FCC compliant

### ELECTRICAL SPECIFICATIONS

Constant Current					
Model #	Input Voltage	Input Current	Output Voltage	Output Current	Available Form Factors
DA45W700C	120V AC 50/60Hz	0.38 A	64.3V DC	700 mA	E1, F2, F3
DA45W750C	120V AC 50/60Hz	0.38 A	60.0V DC	750 mA	E1, F2, F3
DA45W780C	120V AC 50/60Hz	0.38 A	57.7V DC	780 mA	E1, F2, F3
DA45W900C	120V AC 50/60Hz	0.38 A	50.0V DC	900 mA	E1, F2, F3
DA45W950C	120V AC 50/60Hz	0.38 A	47.4V DC	950 mA	E1, F2, F3
DA45W980C	120V AC 50/60Hz	0.38 A	45.9V DC	980 mA	E1, F2, F3
DA45W1000C	120V AC 50/60Hz	0.38 A	45.0V DC	1000 mA	E1, F2, F3
DA45W1050C	120V AC 50/60Hz	0.38 A	42.9V DC	1050 mA	E1, F2, F3
DA45W1100C	120V AC 50/60Hz	0.38 A	40.9V DC	1100 mA	E1, F2, F3
DA45W1130C	120V AC 50/60Hz	0.38 A	39.9V DC	1130 mA	E1, F2, F3
DA45W1200C	120V AC 50/60Hz	0.38 A	37.5V DC	1200 mA	E1, F2, F3
DA45W1250C	120V AC 50/60Hz	0.38 A	36.0V DC	1250 mA	E1, F2, F3
DA45W1280C	120V AC 50/60Hz	0.38 A	35.2V DC	1280 mA	E1, F2, F3
DA45W1300C	120V AC 50/60Hz	0.38 A	34.7V DC	1300 mA	E1, F2, F3
DA45W1350C	120V AC 50/60Hz	0.38 A	33.4V DC	1350 mA	E1, F2, F3

Dimmable Low Voltage LED Driver - CLASS 2 - DA45W



Constant Current					
Model #	Input Voltage	Input Current	Output Voltage	Output Current	Available Form Factors
DA45W1400C	120V AC 50/60Hz	0.38 A	32.2V DC	1400 mA	E1, F2, F3
DA45W1420C	120V AC 50/60Hz	0.38 A	31.7V DC	1420 mA	E1, F2, F3
DA45W1480C	120V AC 50/60Hz	0.38 A	30.5V DC	1480 mA	E1, F2, F3
DA45W1500C	120V AC 50/60Hz	0.38 A	30.0V DC	1500 mA	E1, F2, F3
DA45W1550C	120V AC 50/60Hz	0.38 A	29.1V DC	1550 mA	E1, F2, F3
DA45W1600C	120V AC 50/60Hz	0.38 A	28.2V DC	1600 mA	E1, F2, F3
DA45W1680C	120V AC 50/60Hz	0.38 A	26.8V DC	1680 mA	E1, F2, F3
DA45W1700C	120V AC 50/60Hz	0.38 A	26.5V DC	1700 mA	E1, F2, F3
DA45W1750C	120V AC 50/60Hz	0.38 A	25.8V DC	1750 mA	E1, F2, F3
DA45W1820C	120V AC 50/60Hz	0.38 A	24.8V DC	1820 mA	E1, F2, F3
DA45W1900C	120V AC 50/60Hz	0.38 A	23.7V DC	1900 mA	E1, F2, F3
DA45W2000C	120V AC 50/60Hz	0.38 A	22.5V DC	2000 mA	E1, F2, F3
DA45W2050C	120V AC 50/60Hz	0.38 A	21.9V DC	2050 mA	E1, F2, F3
DA45W2100C	120V AC 50/60Hz	0.38 A	21.5V DC	2100 mA	E1, F2, F3
DA45W2200C	120V AC 50/60Hz	0.38 A	20.5V DC	2200 mA	E1, F2, F3
DA45W2350C	120V AC 50/60Hz	0.38 A	19.2V DC	2350 mA	E1, F2, F3
DA45W2400C	120V AC 50/60Hz	0.38 A	18.8V DC	2400 mA	E1, F2, F3
DA45W2450C	120V AC 50/60Hz	0.38 A	18.4V DC	2450 mA	E1, F2, F3
DA45W2500C	120V AC 50/60Hz	0.38 A	18.0V DC	2500 mA	E1, F2, F3
DA45W2600C	120V AC 50/60Hz	0.38 A	17.4V DC	2600 mA	E1, F2, F3
DA45W2800C	120V AC 50/60Hz	0.38 A	16.1V DC	2800 mA	E1, F2, F3
DA45W2850C	120V AC 50/60Hz	0.38 A	15.8V DC	2850 mA	E1, F2, F3
DA45W3000C	120V AC 50/60Hz	0.38 A	15.0V DC	3000 mA	E1, F2, F3

Constant Voltage					
Model #	Input Voltage	Input Current	Output Voltage	Output Current	Available Form Factors
DA45W12V	120V AC 50/60Hz	0.38 A	12V DC	3750 mA	E1, F2, F3
DA45W24V	120V AC 50/60Hz	0.38 A	24V DC	1875 mA	E1, F2, F3

Dimming Guide	
Model #	Dimming Code
(L)DA45WXXXXV	Standard Dimming
(L) DA45WXXXXVDO10	0-10V Dimming
(L) DA45WXXXXVDALI	DALI Dimming

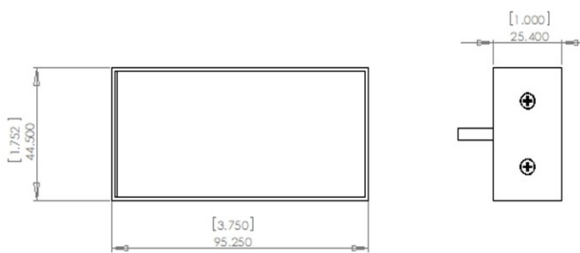


Remote Enclosure Option	
Model #	Remote Enclosure
LDA45WXXXRE	G2
LDA45WXXXREO	G3

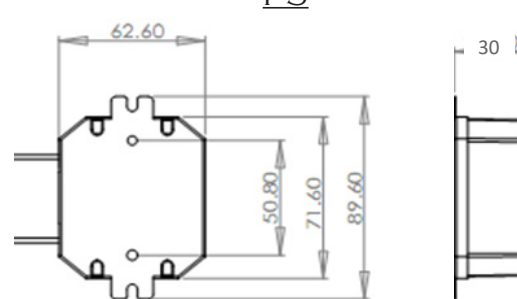
MECHANICAL SPECS.

Available Form Factors	Dimensions
"E1"	95.3X44.5X25.4mm
"F2"	132X37X24.5mm
"F3"	71.6X62.6X30mm
Remote Enclosure	
"G2"	233.1X85.5X48.9mm
"G3"	280X103X56mm

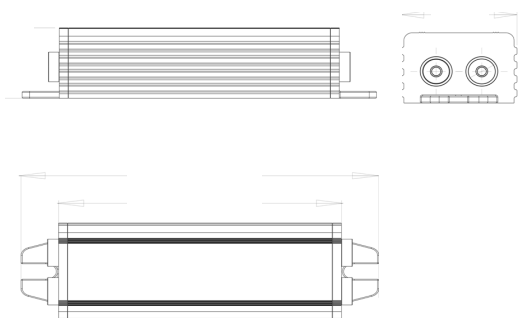
E1



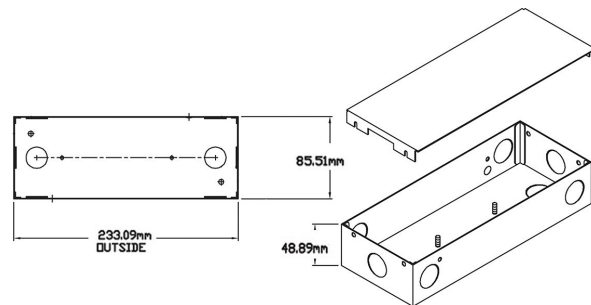
F3



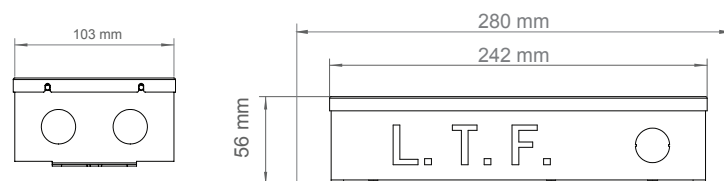
F2



G2



G3





# L.T.F

## Dimmable Low Voltage LED Driver - CLASS 2



### 45W DE45W 277V Series Constant Current / Constant Voltage



<b>Efficiency</b>	higher than 85%
<b>Power Factor</b>	>95%
<b>Case TC</b>	90°C Max.
<b>Protection</b>	Input / Output
<b>Storage</b>	-30°C / +90°C
<b>Humidity</b>	95% RH Max.
<b>IP Rating</b>	IP 60, 65, 67
<b>Class</b>	Class 2 Power Supply
<b>Dimming</b>	ELV & Triac Dimmable
<b>Optional Dim.</b>	0-10V
<b>Optional Dim.</b>	DALI



Intertek



**RoHS**



FCC Part 15  
Class B compliant



\* Ask for more Information

### FEATURES

- Isolated output power per NEC and UL safety requirements
- UL and ETL recognized/ Listed, UL 8750, 1310
- Auto-reset ; Short circuit, Overload and Thermal protection
- Dimmable with ELV and Triac type dimmers
- Aluminum casing for optimal heat dissipation
- Low profile, small form factor, junction box mountable
- Flicker free dimming and excellent dimming range
- Class 2 power supply and other than Class 2 options
- Efficient, high power factor, low THD, FCC compliant

### ELECTRICAL SPECIFICATIONS

Constant Current					
Model #	Input Voltage	Input Current	Output Voltage	Output Current	Available Form Factors
DE45W700C	277V AC 50/60Hz	0.17 A	64.3V DC	700 mA	E1, F2, F3
DE45W750C	277V AC 50/60Hz	0.17 A	60.0V DC	750 mA	E1, F2, F3
DE45W780C	277V AC 50/60Hz	0.17 A	57.7V DC	780 mA	E1, F2, F3
DE45W900C	277V AC 50/60Hz	0.17 A	50.0V DC	900 mA	E1, F2, F3
DE45W950C	277V AC 50/60Hz	0.17 A	47.4V DC	950 mA	E1, F2, F3
DE45W980C	277V AC 50/60Hz	0.17 A	45.9V DC	980 mA	E1, F2, F3
DE45W1000C	277V AC 50/60Hz	0.17 A	45.0V DC	1000 mA	E1, F2, F3
DE45W1050C	277V AC 50/60Hz	0.17 A	42.9V DC	1050 mA	E1, F2, F3
DE45W1100C	277V AC 50/60Hz	0.17 A	40.9V DC	1100 mA	E1, F2, F3
DE45W1130C	277V AC 50/60Hz	0.17 A	39.9V DC	1130 mA	E1, F2, F3
DE45W1200C	277V AC 50/60Hz	0.17 A	37.5V DC	1200 mA	E1, F2, F3
DE45W1250C	277V AC 50/60Hz	0.17 A	36.0V DC	1250 mA	E1, F2, F3
DE45W1280C	277V AC 50/60Hz	0.17 A	35.2V DC	1280 mA	E1, F2, F3
DE45W1300C	277V AC 50/60Hz	0.17 A	34.7V DC	1300 mA	E1, F2, F3
DE45W1350C	277V AC 50/60Hz	0.17 A	33.4V DC	1350 mA	E1, F2, F3



Constant Current					
Model #	Input Voltage	Input Current	Output Voltage	Output Current	Available Form Factors
DE45W1400C	277V AC 50/60Hz	0.17 A	32.2V DC	1400 mA	E1, F2, F3
DE45W1420C	277V AC 50/60Hz	0.17 A	31.7V DC	1420 mA	E1, F2, F3
DE45W1480C	277V AC 50/60Hz	0.17 A	30.5V DC	1480 mA	E1, F2, F3
DE45W1500C	277V AC 50/60Hz	0.17 A	30.0V DC	1500 mA	E1, F2, F3
DE45W1550C	277V AC 50/60Hz	0.17 A	29.1V DC	1550 mA	E1, F2, F3
DE45W1600C	277V AC 50/60Hz	0.17 A	28.2V DC	1600 mA	E1, F2, F3
DE45W1680C	277V AC 50/60Hz	0.17 A	26.8V DC	1680 mA	E1, F2, F3
DE45W1700C	277V AC 50/60Hz	0.17 A	26.5V DC	1700 mA	E1, F2, F3
DE45W1750C	277V AC 50/60Hz	0.17 A	25.8V DC	1750 mA	E1, F2, F3
DE45W1820C	277V AC 50/60Hz	0.17 A	24.8V DC	1820 mA	E1, F2, F3
DE45W1900C	277V AC 50/60Hz	0.17 A	23.7V DC	1900 mA	E1, F2, F3
DE45W2000C	277V AC 50/60Hz	0.17 A	22.5V DC	2000 mA	E1, F2, F3
DE45W2050C	277V AC 50/60Hz	0.17 A	21.9V DC	2050 mA	E1, F2, F3
DE45W2100C	277V AC 50/60Hz	0.17 A	21.5V DC	2100 mA	E1, F2, F3
DE45W2200C	277V AC 50/60Hz	0.17 A	20.5V DC	2200 mA	E1, F2, F3
DE45W2350C	277V AC 50/60Hz	0.17 A	19.2V DC	2350 mA	E1, F2, F3
DE45W2400C	277V AC 50/60Hz	0.17 A	18.8V DC	2400 mA	E1, F2, F3
DE45W2450C	277V AC 50/60Hz	0.17 A	18.4V DC	2450 mA	E1, F2, F3
DE45W2500C	277V AC 50/60Hz	0.17 A	18.0V DC	2500 mA	E1, F2, F3
DE45W2600C	277V AC 50/60Hz	0.17 A	17.4V DC	2600 mA	E1, F2, F3
DE45W2800C	277V AC 50/60Hz	0.17 A	16.1V DC	2800 mA	E1, F2, F3
DE45W2850C	277V AC 50/60Hz	0.17 A	15.8V DC	2850 mA	E1, F2, F3
DE45W3000C	277V AC 50/60Hz	0.17 A	15.0V DC	3000 mA	E1, F2, F3

Constant Voltage					
Model #	Input Voltage	Input Current	Output Voltage	Output Current	Available Form Factors
DE45W12V	277V AC 50/60Hz	0.17 A	12V DC	3750 A	E1, F2, F3
DE45W24V	277V AC 50/60Hz	0.17 A	24V DC	1880 A	E1, F2, F3

Dimming Guide	
Model #	Dimming Code
(L)DE45WXXXXV	Standard Dimming
(L) DE45WXXXXVD010	0-10V Dimming
(L) DE45WXXXXVDALI	DALI Dimming

Dimmable Low Voltage LED Driver - CLASS 2 - DE45W

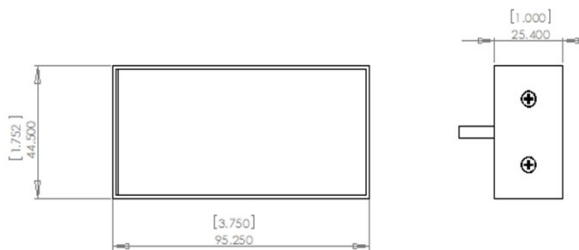


Remote Enclosure Option	
Model #	Remote Enclosure
LDE45WXXXRE	G2
LDE45WXXXREO	G3

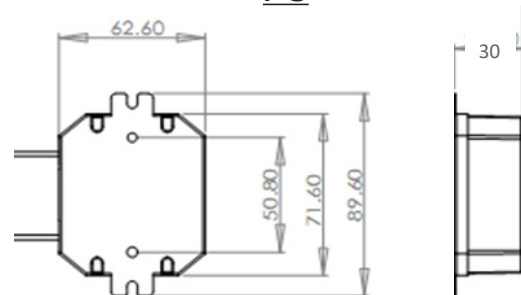
MECHANICAL SPECS.

Available Form Factors	Dimensions
"E1"	95.3X44.5X25.4mm
"F2"	132X37X24.5mm
"F3"	71.6X62.6X30mm
Remote Enclosure	
"G2"	233.1X85.5X48.9mm
"G3"	280X103X56mm

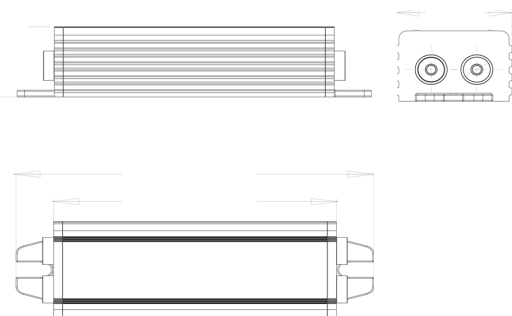
E1



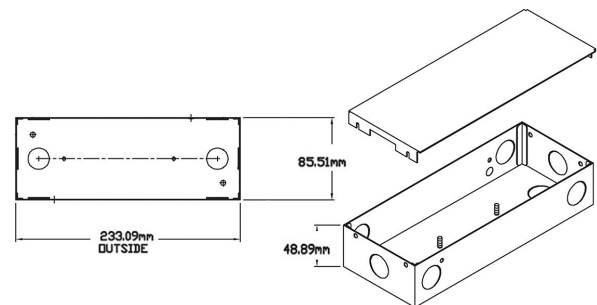
F3



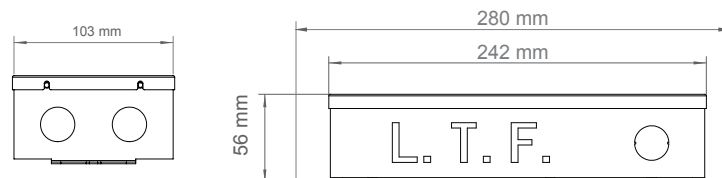
F2



G2



G3





# L.T.F

## Dimmable Low Voltage LED Driver - CLASS 2



### 45W DU45W 220-240V Series Constant Current / Constant Voltage



<b>Efficiency</b>	higher than 85%
<b>Power Factor</b>	>95%
<b>Case TC</b>	90°C Max.
<b>Protection</b>	Input / Output
<b>Storage</b>	-30°C / +90°C
<b>Humidity</b>	95% RH Max.
<b>IP Rating</b>	IP 60, 65, 67
<b>Class</b>	Class 2 Power Supply
<b>Dimming</b>	ELV & Triac Dimmable
<b>Optional Dim.</b>	0-10V
<b>Optional Dim.</b>	DALI



Intertek



**RoHS**



FCC Part 15  
Class B compliant



\* Ask for more  
Information

### FEATURES

- Isolated output power per NEC and UL safety requirements
- UL and ETL recognized/ Listed, UL 8750, 1310
- Auto-reset ; Short circuit, Overload and Thermal protection
- Dimmable with ELV and Triac type dimmers
- Aluminum casing for optimal heat dissipation
- Low profile, small form factor, junction box mountable
- Flicker free dimming and excellent dimming range
- Class 2 power supply and other than Class 2 options
- Efficient, high power factor, low THD, FCC compliant

### ELECTRICAL SPECIFICATIONS

Constant Current					
Model #	Input Voltage	Input Current	Output Voltage	Output Current	Available Form Factors
DU45W700C	220-240V AC 50/60Hz	0.2 A	64.3V DC	700 mA	E1, F2, F3
DU45W750C	220-240V AC 50/60Hz	0.2 A	60.0V DC	750 mA	E1, F2, F3
DU45W780C	220-240V AC 50/60Hz	0.2 A	57.7V DC	780 mA	E1, F2, F3
DU45W900C	220-240V AC 50/60Hz	0.2 A	50.0V DC	900 mA	E1, F2, F3
DU45W950C	220-240V AC 50/60Hz	0.2 A	47.4V DC	950 mA	E1, F2, F3
DU45W980C	220-240V AC 50/60Hz	0.2 A	45.9V DC	980 mA	E1, F2, F3
DU45W1000C	220-240V AC 50/60Hz	0.2 A	45.0V DC	1000 mA	E1, F2, F3
DU45W1050C	220-240V AC 50/60Hz	0.2 A	42.9V DC	1050 mA	E1, F2, F3
DU45W1100C	220-240V AC 50/60Hz	0.2 A	40.9V DC	1100 mA	E1, F2, F3
DU45W1130C	220-240V AC 50/60Hz	0.2 A	39.9V DC	1130 mA	E1, F2, F3
DU45W1200C	220-240V AC 50/60Hz	0.2 A	37.5V DC	1200 mA	E1, F2, F3
DU45W1250C	220-240V AC 50/60Hz	0.2 A	36.0V DC	1250 mA	E1, F2, F3
DU45W1280C	220-240V AC 50/60Hz	0.2 A	35.2V DC	1280 mA	E1, F2, F3
DU45W1300C	220-240V AC 50/60Hz	0.2 A	34.7V DC	1300 mA	E1, F2, F3
DU45W1350C	220-240V AC 50/60Hz	0.2 A	33.4V DC	1350 mA	E1, F2, F3

Dimmable Low Voltage LED Driver - CLASS 2 - DU45W



Constant Current					
Model #	Input Voltage	Input Current	Output Voltage	Output Current	Available Form Factors
DU45W1400C	220-240V AC 50/60Hz	0.2 A	32.2V DC	1400 mA	E1, F2, F3
DU45W1420C	220-240V AC 50/60Hz	0.2 A	31.7V DC	1420 mA	E1, F2, F3
DU45W1480C	220-240V AC 50/60Hz	0.2 A	30.5V DC	1480 mA	E1, F2, F3
DU45W1500C	220-240V AC 50/60Hz	0.2 A	30.0V DC	1500 mA	E1, F2, F3
DU45W1550C	220-240V AC 50/60Hz	0.2 A	29.1V DC	1550 mA	E1, F2, F3
DU45W1600C	220-240V AC 50/60Hz	0.2 A	28.2V DC	1600 mA	E1, F2, F3
DU45W1680C	220-240V AC 50/60Hz	0.2 A	26.8V DC	1680 mA	E1, F2, F3
DU45W1700C	220-240V AC 50/60Hz	0.2 A	26.5V DC	1700 mA	E1, F2, F3
DU45W1750C	220-240V AC 50/60Hz	0.2 A	25.8V DC	1750 mA	E1, F2, F3
DU45W1820C	220-240V AC 50/60Hz	0.2 A	24.8V DC	1820 mA	E1, F2, F3
DU45W1900C	220-240V AC 50/60Hz	0.2 A	23.7V DC	1900 mA	E1, F2, F3
DU45W2000C	220-240V AC 50/60Hz	0.2 A	22.5V DC	2000 mA	E1, F2, F3
DU45W2050C	220-240V AC 50/60Hz	0.2 A	21.9V DC	2050 mA	E1, F2, F3
DU45W2100C	220-240V AC 50/60Hz	0.2 A	21.5V DC	2100 mA	E1, F2, F3
DU45W2200C	220-240V AC 50/60Hz	0.2 A	20.5V DC	2200 mA	E1, F2, F3
DU45W2350C	220-240V AC 50/60Hz	0.2 A	19.2V DC	2350 mA	E1, F2, F3
DU45W2400C	220-240V AC 50/60Hz	0.2 A	18.8V DC	2400 mA	E1, F2, F3
DU45W2450C	220-240V AC 50/60Hz	0.2 A	18.4V DC	2450 mA	E1, F2, F3
DU45W2500C	220-240V AC 50/60Hz	0.2 A	18.0V DC	2500 mA	E1, F2, F3
DU45W2600C	220-240V AC 50/60Hz	0.2 A	17.4V DC	2600 mA	E1, F2, F3
DU45W2800C	220-240V AC 50/60Hz	0.2 A	16.1V DC	2800 mA	E1, F2, F3
DU45W2850C	220-240V AC 50/60Hz	0.2 A	15.8V DC	2850 mA	E1, F2, F3
DU45W3000C	220-240V AC 50/60Hz	0.2 A	15.0V DC	3000 mA	E1, F2, F3

Constant Voltage					
Model #	Input Voltage	Input Current	Output Voltage	Output Current	Available Form Factors
DU45W12V	220-240V AC 50/60Hz	0.2 A	12V DC	3750 A	E1, F2, F3
DU45W24V	220-240V AC 50/60Hz	0.2 A	24V DC	1880 A	E1, F2, F3

Dimming Guide	
Model #	Dimming Code
DU45WXXXXV	Standard Dimming
DU45WXXXXVD010	0-10V Dimming
DU45WXXXXVDALI	DALI Dimming



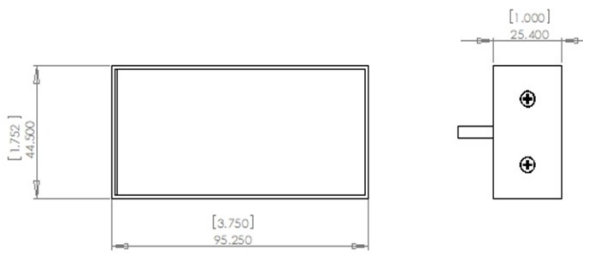


Remote Enclosure Option	
Model #	Remote Enclosure
LDU45WXXXXRE	G2
LDU45WXXXXREO	G3

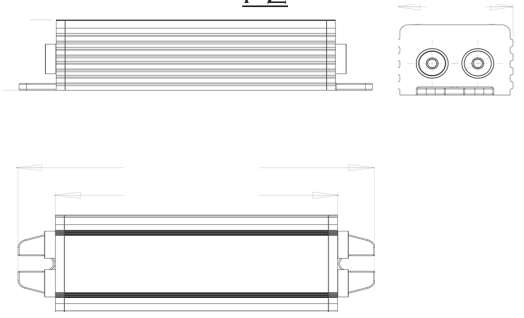
MECHANICAL SPECS.

Available Form Factors	Dimensions
"E1"	95.3X44.5X25.4mm
"F2"	132X37X24.5mm
"F3"	71.6X62.6X30mm
Remote Enclosure	
"G2"	233.1X85.5X48.9mm
"G3"	280X103X56mm

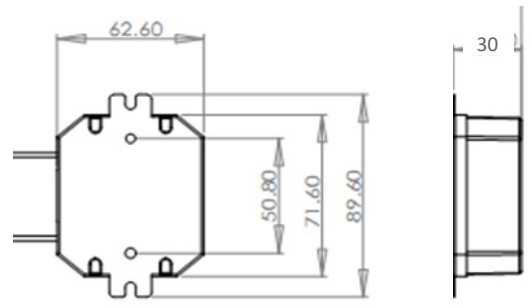
E1



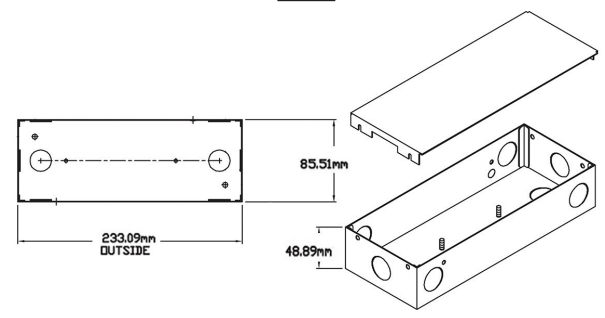
F2



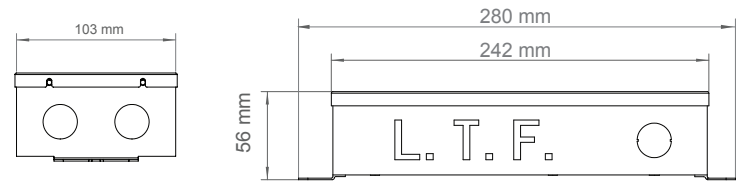
F3



G2



G3



Dimmable Low Voltage LED Driver - CLASS 2 - DU45W