

# 18W DA18W 120V Series

## Constant Current / Constant Voltage



Efficiency	>85%
Power Factor	>0.95
Case TC	90°C Max.
Protection	Input / Output
Storage	-30°C / +90°C
Humidity	95% RH Max.
IP Rating	IP 60, 65, 67
Class	Class 2 Power Supply
Dimming	ELV / TRIAC Dimmable
Optional Dimming	0-10V / DALI



- Isolated output power per NEC and UL safety requirements
- UL and ETL recognized / Listed, UL8750, 1310
- Auto-reset; Short circuit, overload and thermal protection
- Dimmable with ELV and TRIAC type dimmers

### FEATURES

- Aluminum casing for optimal heat dissipation
- Low profile, small form factor, junction box mountable
- Flicker free dimming and excellent dimming range
- Class 2 power supply and other than Class 2 options
- Efficient, high power factor, low THD, FCC compliant

### MODEL KEY

Model Number Key - Constant Current

(L)	DS	96W	2800C	1834	BR1	UD	(REO)	-3002
UL Listed (Option)	Input Voltage DS = 120-277VAC DA = 120VAC DE = 277VAC DU = 220-240VAC	Wattage	2800mA Constant Current	18V-34V DC Output Voltage Range	Case Form Factor	UniDriver Series Tri-Mode Dimmable	Remote Enclosure RE = Indoor REO = Outdoor (Option)	Manufacturer Code

Model Number Key - Constant Voltage

(L)	DS	96W	24V	BR1	UD	(REO)	-3002
UL Listed (Option)	Input Voltage DS = 120-277VAC DA = 120VAC DE = 277VAC DU = 220-240VAC	Wattage	24V DC Constant Voltage	Case Form Factor	UniDriver Series Tri-Mode Dimmable	Remote Enclosure RE = Indoor REO = Outdoor (Option)	Manufacturer Code

### MODEL SPECIFICATIONS

#### CONSTANT CURRENT

Model Number	Input Voltage	Wattage	Input Current	Output Voltage	Output Current	Available Form Factor
DA18W350C	120V AC 50/60Hz	18W	0.15A	51.5V DC	350mA	BF, BF1, D1, SM1, F2, F3, PL1, T11

**CONSTANT CURRENT**

Model Number	Input Voltage	Wattage	Input Current	Output Voltage	Output Current	Available Form Factor
DA18W420C	120V AC 50/60Hz	18W	0.15A	42.9V DC	420mA	BF, BF1, D1, SM1, F2, F3, PL1, T11
DA18W440C	120V AC 50/60Hz	18W	0.15A	40.9V DC	440mA	BF, BF1, D1, SM1, F2, F3, PL1, T11
DA18W500C	120V AC 50/60Hz	18W	0.15A	36.0V DC	500mA	BF, BF1, D1, SM1, F2, F3, PL1, T11
DA18W550C	120V AC 50/60Hz	18W	0.15A	32.8V DC	550mA	BF, BF1, D1, SM1, F2, F3, PL1, T11
DA18W620C	120V AC 50/60Hz	18W	0.15A	29.1V DC	620mA	BF, BF1, D1, SM1, F2, F3, PL1, T11
DA18W700C	120V AC 50/60Hz	18W	0.15A	25.8V DC	700mA	BF, BF1, D1, SM1, F2, F3, PL1, T11
DA18W750C	120V AC 50/60Hz	18W	0.15A	24.0V DC	750mA	BF, BF1, D1, SM1, F2, F3, PL1, T11
DA18W780C	120V AC 50/60Hz	18W	0.15A	23.1V DC	780mA	BF, BF1, D1, SM1, F2, F3, PL1, T11
DA18W900C	120V AC 50/60Hz	18W	0.15A	20.0V DC	900mA	BF, BF1, D1, SM1, F2, F3, PL1, T11
DA18W950C	120V AC 50/60Hz	18W	0.15A	18.9V DC	950mA	BF, BF1, D1, SM1, F2, F3, PL1, T11
DA18W980C	120V AC 50/60Hz	18W	0.15A	18.4V DC	980mA	BF, BF1, D1, SM1, F2, F3, PL1, T11
DA18W1000C	120V AC 50/60Hz	18W	0.15A	18.0V DC	1000mA	BF, BF1, D1, SM1, F2, F3, PL1, T11
DA18W1050C	120V AC 50/60Hz	18W	0.15A	17.2V DC	1050mA	BF, BF1, D1, SM1, F2, F3, PL1, T11
DA18W1100C	120V AC 50/60Hz	18W	0.15A	16.4V DC	1100mA	BF, BF1, D1, SM1, F2, F3, PL1, T11
DA18W1130C	120V AC 50/60Hz	18W	0.15A	15.9V DC	1130mA	BF, BF1, D1, SM1, F2, F3, PL1, T11
DA18W1180C	120V AC 50/60Hz	18W	0.15A	15.0V DC	1180mA	BF, BF1, D1, SM1, F2, F3, PL1, T11
DA18W1250C	120V AC 50/60Hz	18W	0.15A	14.5V DC	1250mA	BF, BF1, D1, SM1, F2, F3, PL1, T11

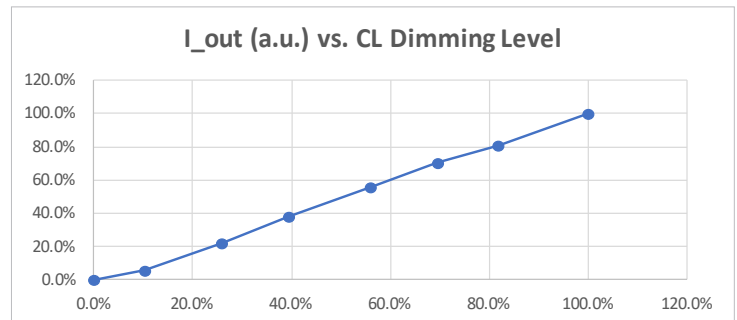
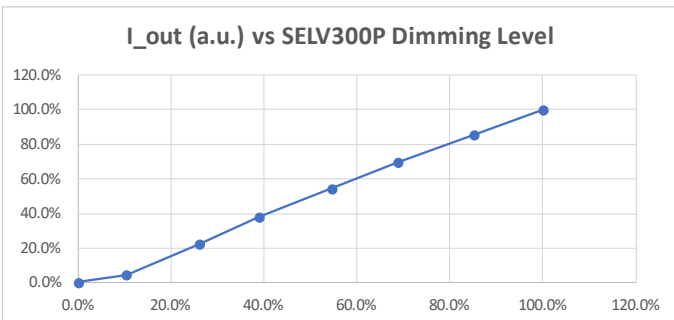
**CONSTANT VOLTAGE**

Model Number	Input Voltage	Wattage	Input Current	Output Voltage	Output Current	Available Form Factor
DA18W12V	120V AC 50/60Hz	18W	0.15A	12V DC	1500 mA	BF, BF1, D1, SM1, F2, F3, PL1, T11
DA18W24V	120V AC 50/60Hz	18W	0.15A	24V DC	750 mA	BF, BF1, D1, SM1, F2, F3, PL1, T11

DIMMING GUIDE	
MODEL#	DIMMING CODE
(L) DA18WXXXX	Standard Dimming
(L) DA18WXXXXDO10	0-10V Dimming
(L) DA18WXXXXDALI	DALI Dimming

REMOTE ENCLOSURE OPTION	
MODEL#	REMOTE ENCLOSURE
LDA18WXXXXRE	G1, G2
LDA18WXXXXREO	G3, G4

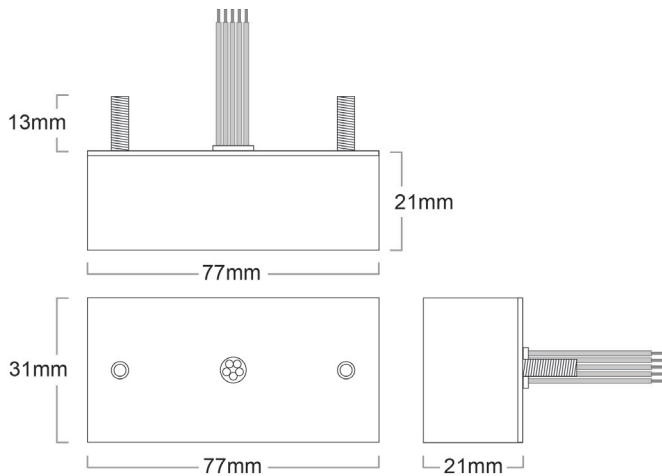
### DIMMING CURVES



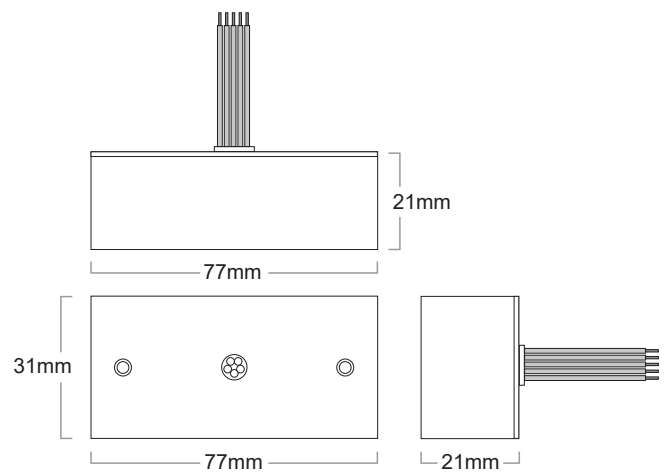
**MECHANICAL SPECS**

FORM FACTOR	DIMENSIONS
BF	77.4 x 38.1 x 24.5mm (mounting studs)
BF1	77.4 x 38.1 x 24.5mm (no mounting studs)
SM1	110 (96) x 50 x 24mm
F2	132 x 37 x 24.5mm
F3	71.6 x 62.6 x 30mm
D1	39.5 X 75mm
T11	95 (77) x 31 x 21mm

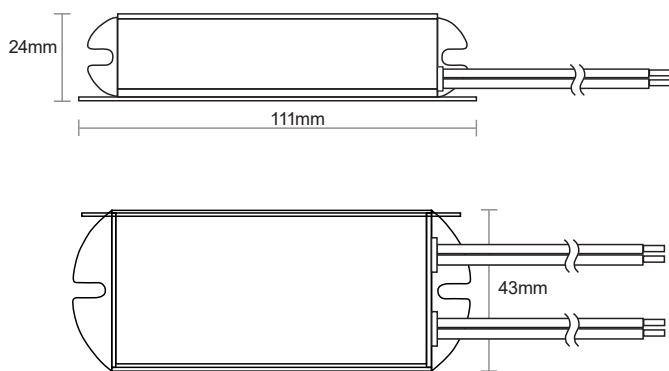
**BF**



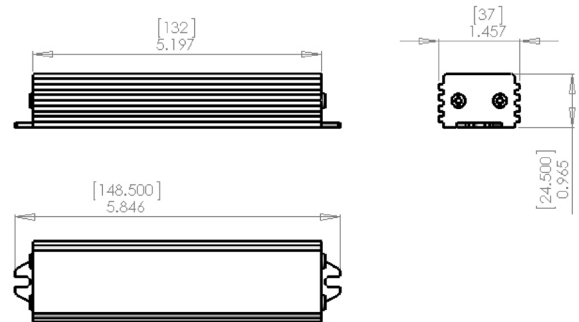
**BF1**



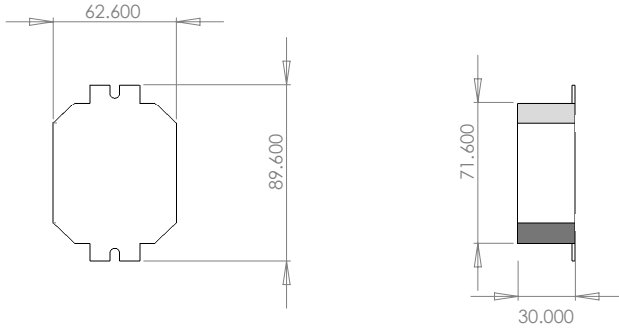
**SM1**



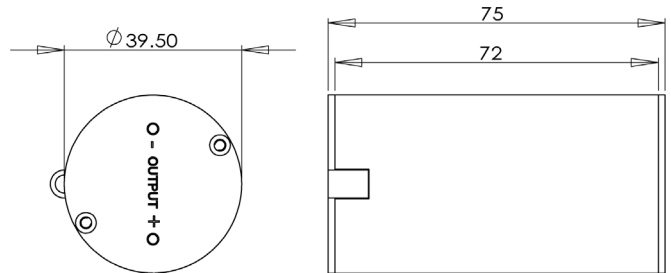
**F2**



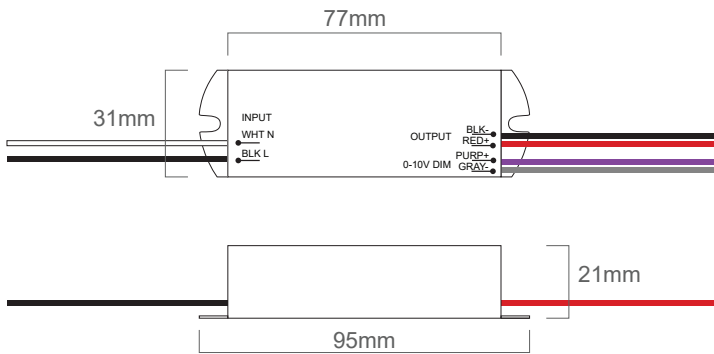
**F3**



**D1**



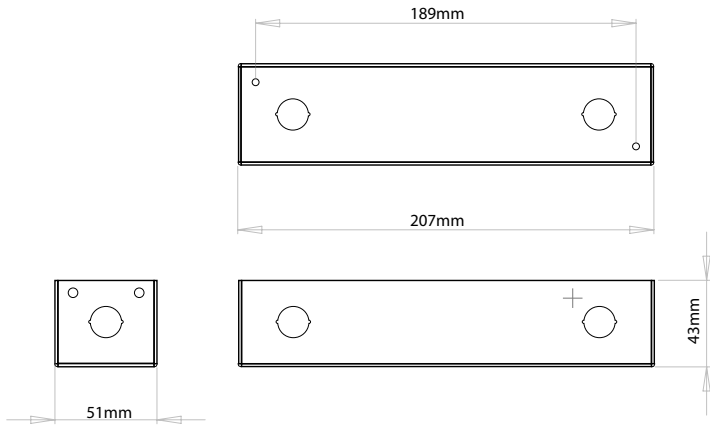
**T11**



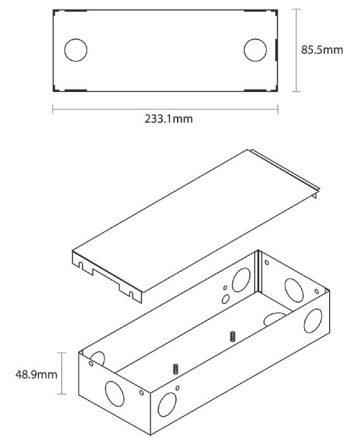
**REMOTE ENCLOSURE SPECS**

REMOTE ENCLOSURE OPTION	FORM FACTOR	DIMENSIONS
LDA18WXXXRE	G1	207 x 51 x 43mm
LDA18WXXXRE	G2	233.1 x 85.5 x 48.9mm
LDA18WXXXREO	G3	280 (242) x 103 x 56mm
LDA18WXXXREO	G4	238 (202) x 66 x 48mm

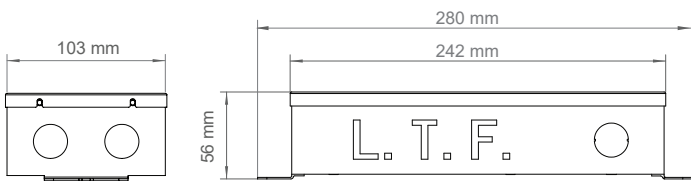
**G1**



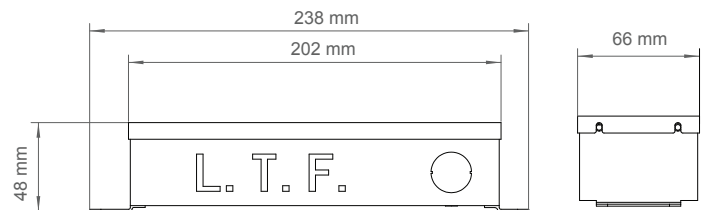
**G2**



**G3**



**G4**



# 18W DE18W 120V Series

## Constant Current / Constant Voltage



Efficiency	>85%
Power Factor	>0.95
Case TC	90°C Max.
Protection	Input / Output
Storage	-30°C / +90°C
Humidity	95% RH Max.
IP Rating	IP 60, 65, 67
Class	Class 2 Power Supply
Dimming	ELV / TRIAC Dimmable
Optional Dimming	0-10V / DALI



- Isolated output power per NEC and UL safety requirements
- UL and ETL recognized / Listed, UL8750, 1310
- Auto-reset; Short circuit, overload and thermal protection
- Dimmable with ELV and TRIAC type dimmers

### FEATURES

- Aluminum casing for optimal heat dissipation
- Low profile, small form factor, junction box mountable
- Flicker free dimming and excellent dimming range
- Class 2 power supply and other than Class 2 options
- Efficient, high power factor, low THD, FCC compliant

### MODEL KEY

Model Number Key - Constant Current

(L)	DS	96W	2800C	1834	BR1	UD	(REO)	-3002
UL Listed (Option)	Input Voltage DS = 120-277VAC DA = 120VAC DE = 277VAC DU = 220-240VAC	Wattage 2800mA Constant Current	2800mA	18V-34V DC Output Voltage Range	Case Form Factor	UniDriver Series Tri-Mode Dimmable	Remote Enclosure RE = Indoor REO = Outdoor (Option)	Manufacturer Code

Model Number Key - Constant Voltage

(L)	DS	96W	24V	BR1	UD	(REO)	-3002
UL Listed (Option)	Input Voltage DS = 120-277VAC DA = 120VAC DE = 277VAC DU = 220-240VAC	Wattage 24V DC Constant Voltage	24V DC	Case Form Factor	UniDriver Series Tri-Mode Dimmable	Remote Enclosure RE = Indoor REO = Outdoor (Option)	Manufacturer Code

### MODEL SPECIFICATIONS

#### CONSTANT CURRENT

Model Number	Input Voltage	Wattage	Input Current	Output Voltage	Output Current	Available Form Factor
DE18W350C	277V AC 50/60Hz	18W	0.07A	51.5V DC	350mA	BF, BF1, D1, SM1, F2, F3, PL1, T11

**CONSTANT CURRENT**

Model Number	Input Voltage	Wattage	Input Current	Output Voltage	Output Current	Available Form Factor
DE18W420C	277V AC 50/60Hz	18W	0.07A	42.9V DC	420mA	BF, BF1, D1, SM1, F2, F3, PL1, T11
DE18W440C	277V AC 50/60Hz	18W	0.07A	40.9V DC	440mA	BF, BF1, D1, SM1, F2, F3, PL1, T11
DE18W500C	277V AC 50/60Hz	18W	0.07A	36.0V DC	500mA	BF, BF1, D1, SM1, F2, F3, PL1, T11
DE18W550C	277V AC 50/60Hz	18W	0.07A	32.8V DC	550mA	BF, BF1, D1, SM1, F2, F3, PL1, T11
DE18W620C	277V AC 50/60Hz	18W	0.07A	29.1V DC	620mA	BF, BF1, D1, SM1, F2, F3, PL1, T11
DE18W700C	277V AC 50/60Hz	18W	0.07A	25.8V DC	700mA	BF, BF1, D1, SM1, F2, F3, PL1, T11
DE18W750C	277V AC 50/60Hz	18W	0.07A	24.0V DC	750mA	BF, BF1, D1, SM1, F2, F3, PL1, T11
DE18W780C	277V AC 50/60Hz	18W	0.07A	23.1V DC	780mA	BF, BF1, D1, SM1, F2, F3, PL1, T11
DE18W900C	277V AC 50/60Hz	18W	0.07A	20.0V DC	900mA	BF, BF1, D1, SM1, F2, F3, PL1, T11
DE18W950C	277V AC 50/60Hz	18W	0.07A	18.9V DC	950mA	BF, BF1, D1, SM1, F2, F3, PL1, T11
DE18W980C	277V AC 50/60Hz	18W	0.07A	18.4V DC	980mA	BF, BF1, D1, SM1, F2, F3, PL1, T11
DE18W1000C	277V AC 50/60Hz	18W	0.07A	18.0V DC	1000mA	BF, BF1, D1, SM1, F2, F3, PL1, T11
DE18W1050C	277V AC 50/60Hz	18W	0.07A	17.2V DC	1050mA	BF, BF1, D1, SM1, F2, F3, PL1, T11
DE18W1100C	277V AC 50/60Hz	18W	0.07A	16.4V DC	1100mA	BF, BF1, D1, SM1, F2, F3, PL1, T11
DE18W1130C	277V AC 50/60Hz	18W	0.07A	15.9V DC	1130mA	BF, BF1, D1, SM1, F2, F3, PL1, T11
DE18W1180C	277V AC 50/60Hz	18W	0.07A	15.0V DC	1180mA	BF, BF1, D1, SM1, F2, F3, PL1, T11
DE18W1250C	277V AC 50/60Hz	18W	0.07A	14.5V DC	1250mA	BF, BF1, D1, SM1, F2, F3, PL1, T11

**CONSTANT VOLTAGE**

Model Number	Input Voltage	Wattage	Input Current	Output Voltage	Output Current	Available Form Factor
DE18W12V	277V AC 50/60Hz	18W	0.07A	12V DC	1500 mA	BF, BF1, D1, SM1, F2, F3, PL1, T11
DE18W24V	277V AC 50/60Hz	18W	0.07A	24V DC	750 mA	BF, BF1, D1, SM1, F2, F3, PL1, T11



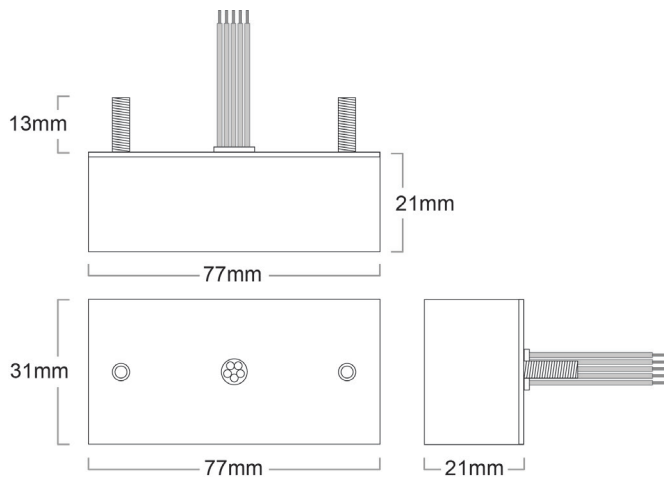
DIMMING GUIDE	
MODEL#	DIMMING CODE
(L) DE18WXXXX	Standard Dimming
(L) DE18WXXXXDO10	0-10V Dimming
(L) DE18WXXXXDALI	DALI Dimming

REMOTE ENCLOSURE OPTION	
MODEL#	REMOTE ENCLOSURE
LDE18WXXXXRE	G1, G2
LDE18WXXXXREO	G3, G4

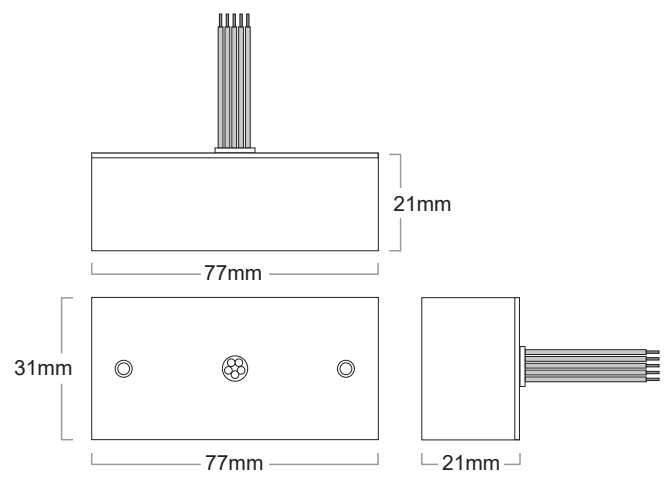
### MECHANICAL SPECS

FORM FACTOR	DIMENSIONS
BF	77.4 x 38.1 x 24.5mm (mounting studs)
BF1	77.4 x 38.1 x 24.5mm (no mounting studs)
SM1	110 (96) x 50 x 24mm
F2	132 x 37 x 24.5mm
F3	71.6 x 62.6 x 30mm
D1	39.5 X 75mm
T11	95 (77) x 31 x 21mm

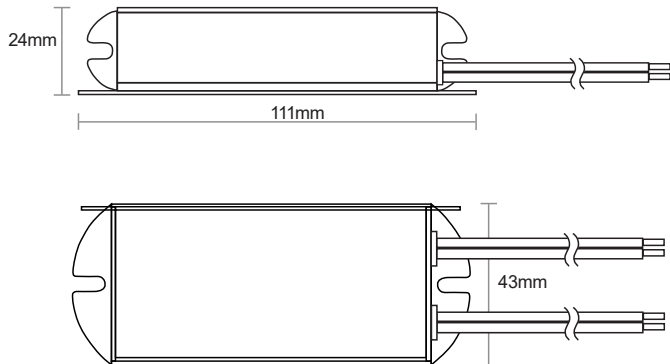
**BF**



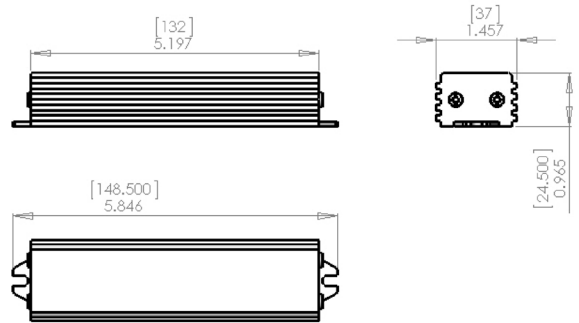
**BF1**



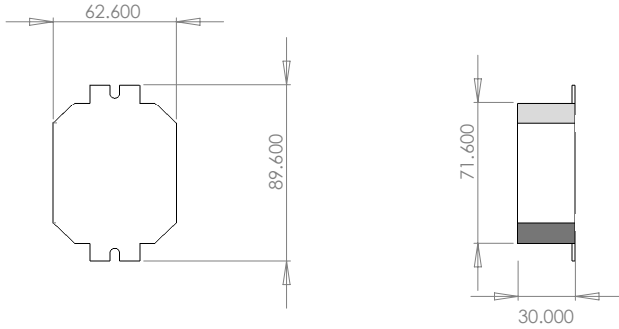
**SM1**



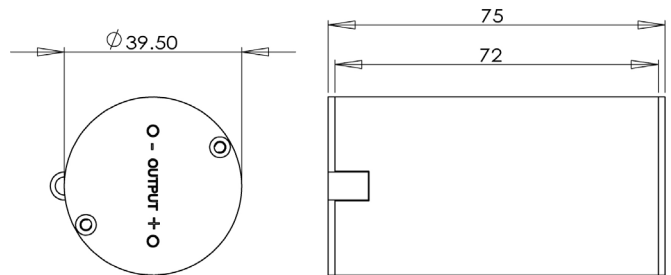
**F2**



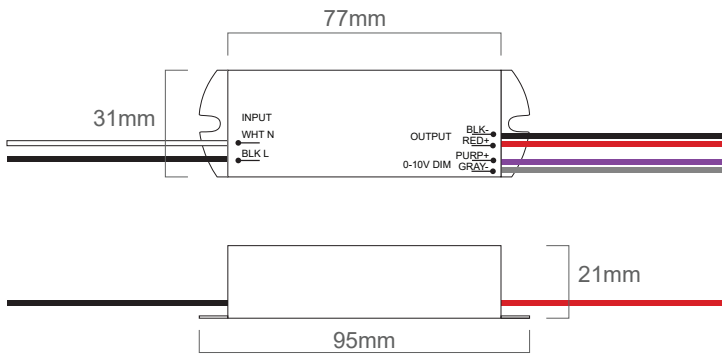
**F3**



**D1**



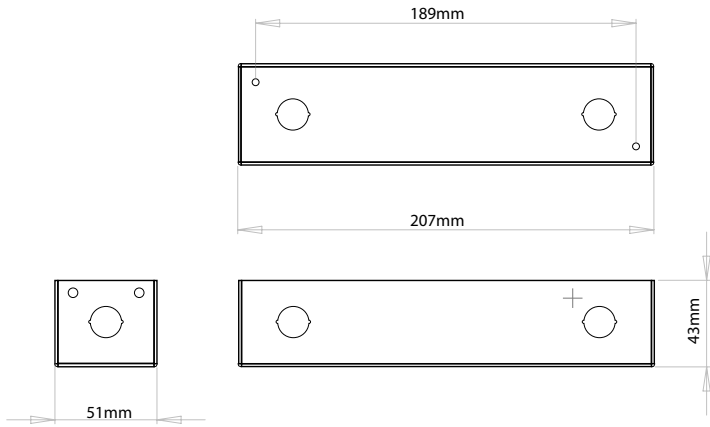
**T11**



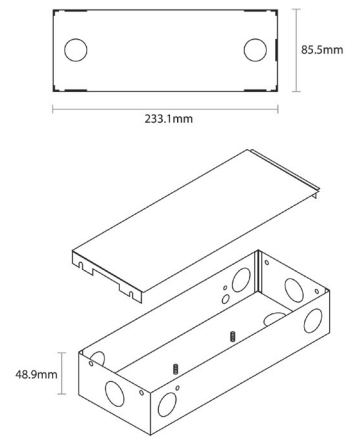
**REMOTE ENCLOSURE SPECS**

REMOTE ENCLOSURE OPTION	FORM FACTOR	DIMENSIONS
LDA18WXXXRE	G1	207 x 51 x 43mm
LDA18WXXXRE	G2	233.1 x 85.5 x 48.9mm
LDA18WXXXREO	G3	280 (242) x 103 x 56mm
LDA18WXXXREO	G4	238 (202) x 66 x 48mm

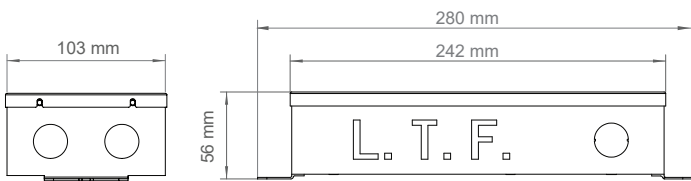
**G1**



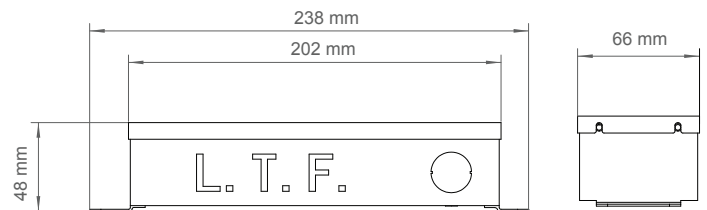
**G2**



**G3**



**G4**



## 18W DU18W 120V Series

Constant Current / Constant Voltage



Efficiency	>85%
Power Factor	>0.95
Case TC	90°C Max.
Protection	Input / Output
Storage	-30°C / +90°C
Humidity	95% RH Max.
IP Rating	IP 60, 65, 67
Class	Class 2 Power Supply
Dimming	ELV / TRIAC Dimmable
Optional Dimming	0-10V / DALI



- Isolated output power per NEC and UL safety requirements
- UL and ETL recognized / Listed, UL8750, 1310
- Auto-reset; Short circuit, overload and thermal protection
- Dimmable with ELV and TRIAC type dimmers

### FEATURES

- Aluminum casing for optimal heat dissipation
- Low profile, small form factor, junction box mountable
- Flicker free dimming and excellent dimming range
- Class 2 power supply and other than Class 2 options
- Efficient, high power factor, low THD, FCC compliant

### MODEL KEY

Model Number Key - Constant Current

(L)	DS	96W	2800C	1834	BR1	UD	(REO)	-3002
UL Listed (Option)	Input Voltage DS = 120-277VAC DA = 120VAC DE = 277VAC DU = 220-240VAC	Wattage 96W	2800mA Constant Current	18V-34V DC Output Voltage Range	Case Form Factor	UniDriver Series Tri-Mode Dimmable	Remote Enclosure RE = Indoor REO = Outdoor (Option)	Manufacturer Code

Model Number Key - Constant Voltage

(L)	DS	96W	24V	BR1	UD	(REO)	-3002
UL Listed (Option)	Input Voltage DS = 120-277VAC DA = 120VAC DE = 277VAC DU = 220-240VAC	Wattage 96W	24V DC Constant Voltage	Case Form Factor	UniDriver Series Tri-Mode Dimmable	Remote Enclosure RE = Indoor REO = Outdoor (Option)	Manufacturer Code

### MODEL SPECIFICATIONS

#### CONSTANT CURRENT

Model Number	Input Voltage	Wattage	Input Current	Output Voltage	Output Current	Available Form Factor
DU18W350C	218V AC 50/60Hz	18W	0.08A	51.5V DC	350mA	BF, BF1, D1, SM1, F2, F3, PL1, T11

**CONSTANT CURRENT**

Model Number	Input Voltage	Wattage	Input Current	Output Voltage	Output Current	Available Form Factor
DU18W420C	218V AC 50/60Hz	18W	0.08A	42.9V DC	420mA	BF, BF1, D1, SM1, F2, F3, PL1, T11
DU18W440C	218V AC 50/60Hz	18W	0.08A	40.9V DC	440mA	BF, BF1, D1, SM1, F2, F3, PL1, T11
DU18W500C	218V AC 50/60Hz	18W	0.08A	36.0V DC	500mA	BF, BF1, D1, SM1, F2, F3, PL1, T11
DU18W550C	218V AC 50/60Hz	18W	0.08A	32.8V DC	550mA	BF, BF1, D1, SM1, F2, F3, PL1, T11
DU18W620C	218V AC 50/60Hz	18W	0.08A	29.1V DC	620mA	BF, BF1, D1, SM1, F2, F3, PL1, T11
DU18W700C	218V AC 50/60Hz	18W	0.08A	25.8V DC	700mA	BF, BF1, D1, SM1, F2, F3, PL1, T11
DU18W750C	218V AC 50/60Hz	18W	0.08A	24.0V DC	750mA	BF, BF1, D1, SM1, F2, F3, PL1, T11
DU18W780C	218V AC 50/60Hz	18W	0.08A	23.1V DC	780mA	BF, BF1, D1, SM1, F2, F3, PL1, T11
DU18W900C	218V AC 50/60Hz	18W	0.08A	20.0V DC	900mA	BF, BF1, D1, SM1, F2, F3, PL1, T11
DU18W950C	218V AC 50/60Hz	18W	0.08A	18.9V DC	950mA	BF, BF1, D1, SM1, F2, F3, PL1, T11
DU18W980C	218V AC 50/60Hz	18W	0.08A	18.4V DC	980mA	BF, BF1, D1, SM1, F2, F3, PL1, T11
DU18W1000C	218V AC 50/60Hz	18W	0.08A	18.0V DC	1000mA	BF, BF1, D1, SM1, F2, F3, PL1, T11
DU18W1050C	218V AC 50/60Hz	18W	0.08A	17.2V DC	1050mA	BF, BF1, D1, SM1, F2, F3, PL1, T11
DU18W1100C	218V AC 50/60Hz	18W	0.08A	16.4V DC	1100mA	BF, BF1, D1, SM1, F2, F3, PL1, T11
DU18W1130C	218V AC 50/60Hz	18W	0.08A	15.9V DC	1130mA	BF, BF1, D1, SM1, F2, F3, PL1, T11
DU18W1180C	218V AC 50/60Hz	18W	0.08A	15.0V DC	1180mA	BF, BF1, D1, SM1, F2, F3, PL1, T11
DU18W1250C	218V AC 50/60Hz	18W	0.08A	14.5V DC	1250mA	BF, BF1, D1, SM1, F2, F3, PL1, T11

**CONSTANT VOLTAGE**

Model Number	Input Voltage	Wattage	Input Current	Output Voltage	Output Current	Available Form Factor
DU18W12V	218V AC 50/60Hz	18W	0.08A	12V DC	1500 mA	BF, BF1, D1, SM1, F2, F3, PL1, T11
DU18W24V	218V AC 50/60Hz	18W	0.08A	24V DC	750 mA	BF, BF1, D1, SM1, F2, F3, PL1, T11

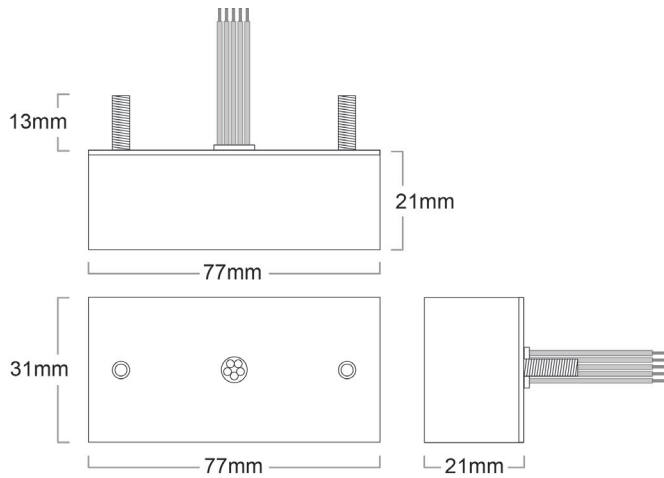
DIMMING GUIDE	
MODEL#	DIMMING CODE
(L) DU18WXXXX	Standard Dimming
(L) DU18WXXXXDO10	0-10V Dimming
(L) DU18WXXXXDALI	DALI Dimming

REMOTE ENCLOSURE OPTION	
MODEL#	REMOTE ENCLOSURE
LDU18WXXXXRE	G1, G2
LDU18WXXXXREO	G3, G4

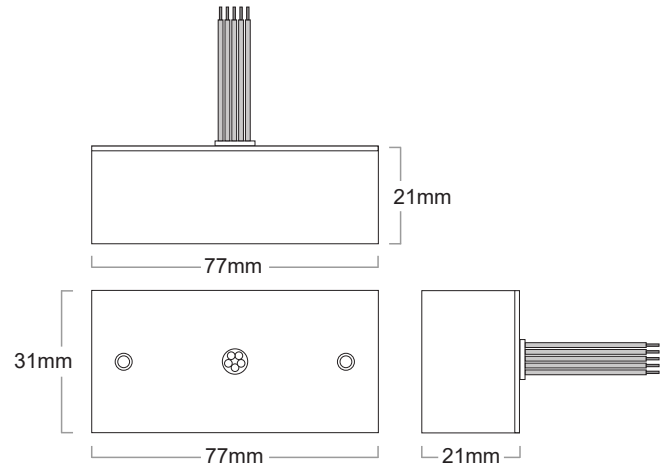
### MECHANICAL SPECS

FORM FACTOR	DIMENSIONS
BF	77.4 x 38.1 x 24.5mm (mounting studs)
BF1	77.4 x 38.1 x 24.5mm (no mounting studs)
SM1	110 (96) x 50 x 24mm
F2	132 x 37 x 24.5mm
F3	71.6 x 62.6 x 30mm
D1	39.5 X 75mm
T11	95 (77) x 31 x 21mm

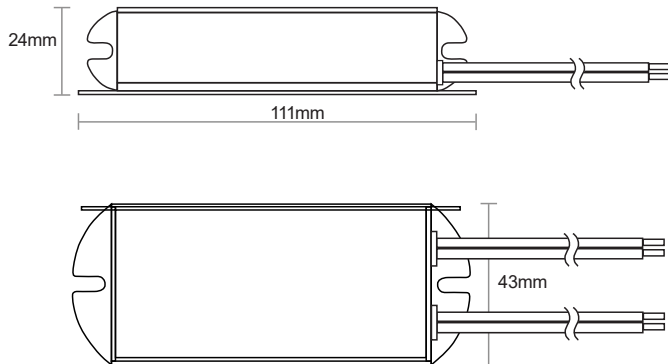
**BF**



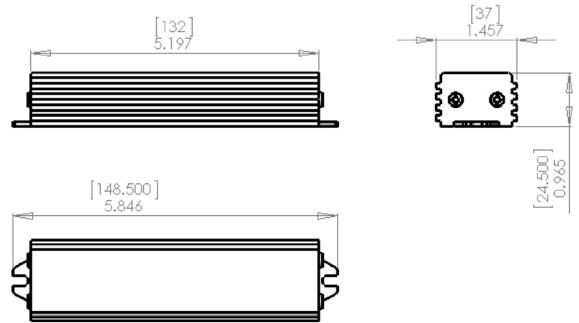
**BF1**



**SM1**

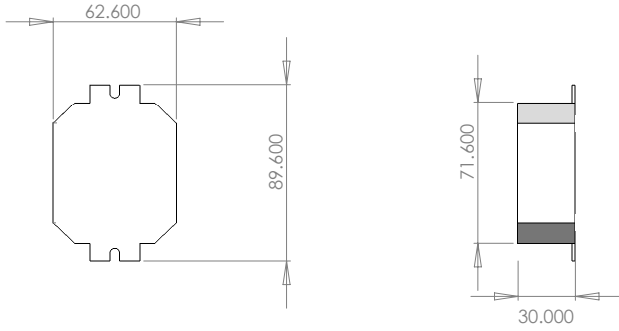


**F2**

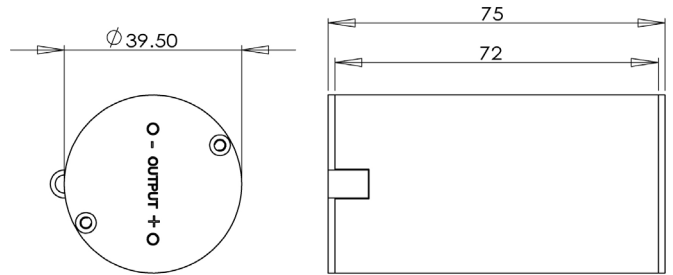




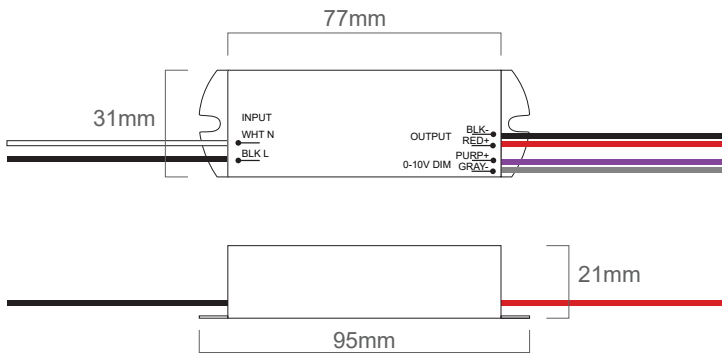
**F3**



**D1**



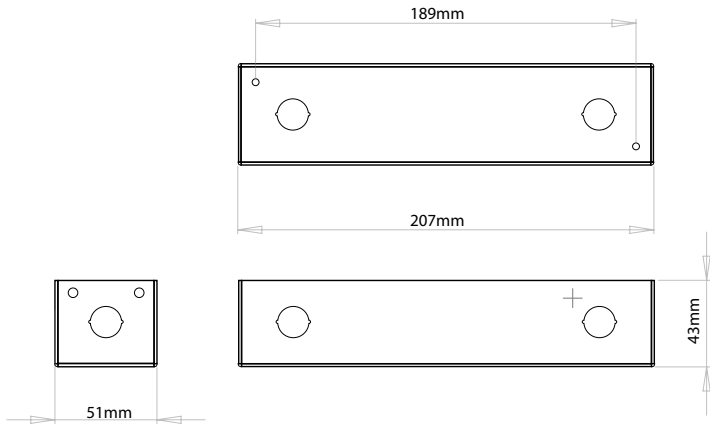
**T11**



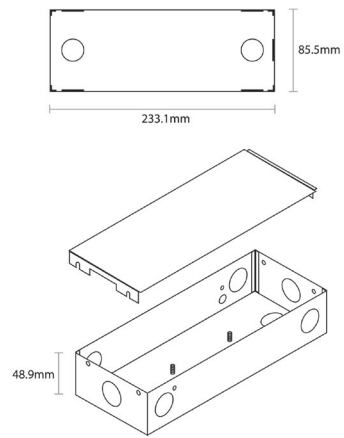
**REMOTE ENCLOSURE SPECS**

REMOTE ENCLOSURE OPTION	FORM FACTOR	DIMENSIONS
LDA18WXXXRE	G1	207 x 51 x 43mm
LDA18WXXXRE	G2	233.1 x 85.5 x 48.9mm
LDA18WXXXREO	G3	280 (242) x 103 x 56mm
LDA18WXXXREO	G4	238 (202) x 66 x 48mm

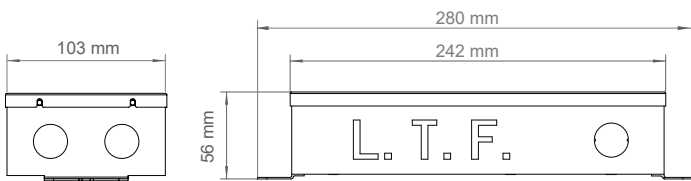
**G1**



**G2**



**G3**



**G4**

