



L.T.F. High CRI Magnetic Mount Spot Light

3W Under Cabinet Spot UCR1803W Series



General Information	
Wattage	3W
CCT	3000K/4000K
Available CRI	>80/90
Size	80mm (OD)
Lumen Output	275lm
Installation	Magnetic

FEATURES

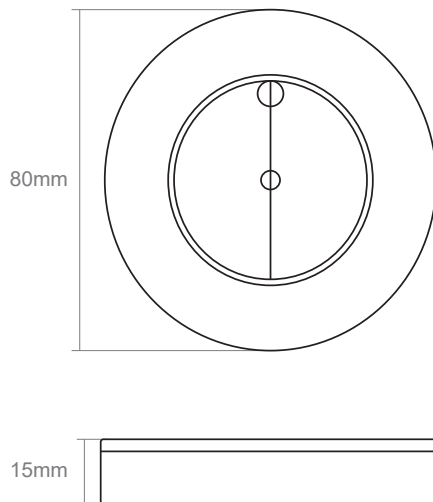
- Magnetic mount under cabinet spot light
- High lumen output
- Easy installation
- Low profile design, no visible mounting
- Available in white and artificial marble finishes
- Aluminum base for heat dissipation
- 3 step touch dimming
- OEM exclusive fixture

ORDER NUMBERS

Model Number	CRI	CCT	Finish
UCR1803W830B	80	3000K	Black
UCR1803W830W	80	3000K	White
UCR1803W840B	80	4000K	Black
UCR1803W840W	80	4000K	White

Model Number	CRI	CCT	Finish
UCR1803W930B	90	3000K	Black
UCR1803W930W	90	3000K	White
UCR1803W940B	90	4000K	Black
UCR1803W940W	90	4000K	White

MECHANICAL SPECS



Magnetic Installation