



OEM Series 1000

L.T.F. High CRI Recessed Light



Architectural Grade Dim to Warm LED Downlight REN5010WRR1W-WD Series



General Information		
Wattage	12W	
CCT	1800K dim to 3000K	
CRI	90+	
Size	90mm (OD)	
Lumen Output	1000lm	
Installation	Recessed	
R9	55+	
0% Dim	3000K	90+CRI
100% Dim	1800K	83+CRI

RoHS



FEATURES

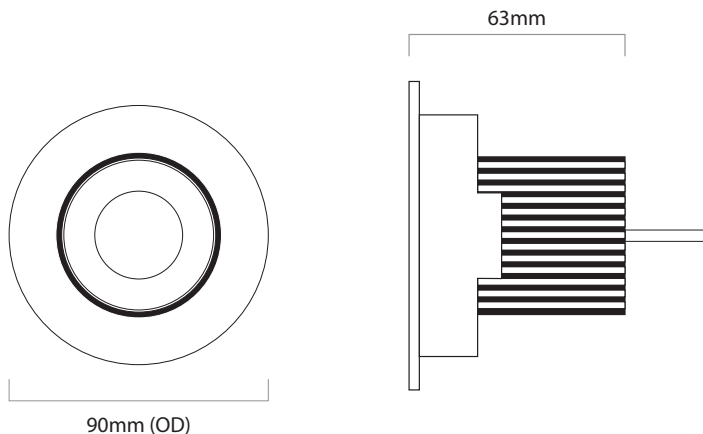
- Sunset dimming, creating cozy ambiance when dimmed to low position
- Adjustable trim; ~5°
- High lumen output
- Easy installation
- Low profile design, no visible mounting
- Available in matte white, black, gray and custom finish
- Aluminum base for heat dissipation
- OEM exclusive fixture

Compatible LED Drivers		
Model	Output Current	Output Voltage
DA15W350C1042-30001	350mA	12-15V

ELECTRICAL SPECS.

Model Number	Beam Angle	Input Voltage	Input Current	CRI	CCT	Finish	Dim to Warm
REN5010WRR1	15° 24° 36°	34V	350mA	90+	3000K to 1800K	White Black Gray Custom	-WD

MECHANICAL SPECS



Dimensions and Cut-Out Specs	
Size	90x82mm
Cut-out (mm)	75mm (OD)