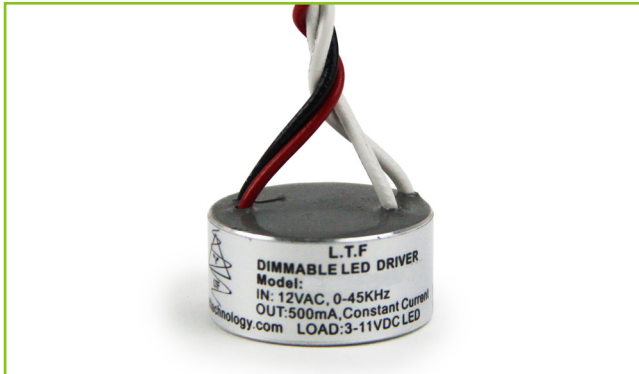




L.T.F

Dimmable Low Voltage LED Driver - CLASS 2

**10W AC-DC Constant Current (180-1000mA)
DL & LDL Series 12V-24V Input Voltage**



Efficiency	higher than 80%
Power Factor	>95%
Case TC*	90°C Max.
Protection	Input / Output
Storage	-30°C / +90°C
Humidity	95% RH Max.
IP Rating	IP 65
Class	Class 2 power supply
Dimming	Dimmable



FEATURES

- Externely small Low Voltage LED driver
- High performance fully dimmable
- Excelent choice to integrate in Low Voltage LED fixtures
- Isolated output power per NEC and UL safety requirements
- ETL recognized/ Listed*, meets UL 8750, 1310 requirements
- Auto-reset ; Short circuit, Overload and Thermal protection
- Rated for 12-24V magnetic and electronic transformers
- Dimmable with ELV , and Magnetic LV type dimmers
- Aluminum casing for optimal heat dissipation
- Low profile, small form factor, junction box mountable
- Flicker free dimming
- Class 2 power supply
- Efficient, High power factor

ELECTRICAL SPECIFICATIONS

12V Input							
Model #	Input Voltage	Input Current	Output Voltage	Output Current	Power Factor	Max. TC	Available Form Factors
DL110W180C	12V AC / DC 0-35KHz	0.83 A	18-55V DC	180 mA	0.80	90C°	A6, A7, A8, A9, Remote
DL110W200C	12V AC / DC 0-35KHz	0.83 A	18-50V DC	200 mA	0.80	90C°	A6, A7, A8, A9, Remote
DL110W320C	12V AC / DC 0-35KHz	0.83 A	18-31V DC	320 mA	0.80	90C°	A6, A7, A8, A9, Remote
DL110W350C	12V AC / DC 0-35KHz	0.83 A	18-28V DC	350 mA	0.80	90C°	A6, A7, A8, A9, Remote
DL110W480C	12V AC / DC 0-35KHz	0.83 A	10-20V DC	480 mA	0.80	90C°	A6, A7, A8, A9, Remote
DL110W520C	12V AC / DC 0-35KHz	0.83 A	10-19V DC	520 mA	0.80	90C°	A6, A7, A8, A9, Remote
DL110W580C	12V AC / DC 0-35KHz	0.83 A	10-17V DC	580 mA	0.80	90C°	A6, A7, A8, A9, Remote
DL110W600C	12V AC / DC 0-35KHz	0.83 A	10-16V DC	600 mA	0.80	90C°	A6, A7, A8, A9, Remote
DL110W680C	12V AC / DC 0-35KHz	0.83 A	10-15V DC	680 mA	0.80	90C°	A6, A7, A8, A9, Remote
DL110W700C	12V AC / DC 0-35KHz	0.83 A	10-14V DC	700 mA	0.80	90C°	A6, A7, A8, A9, Remote
DL110W780C	12V AC / DC 0-35KHz	0.83 A	05-13V DC	780 mA	0.80	90C°	A6, A7, A8, A9, Remote
DL110W850C	12V AC / DC 0-35KHz	0.83 A	05-11V DC	850 mA	0.80	90C°	A6, A7, A8, A9, Remote
DL110W1000C	12V AC / DC 0-35KHz	0.83 A	05-10V DC	1000 mA	0.80	90C°	A6, A7, A8, A9, Remote

* Under confirmed thermal condition **Pending

Dimmable Low Voltage LED Driver - CLASS 2



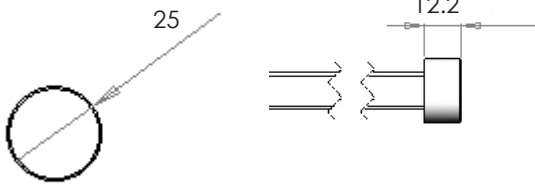
24V Input							
Model #	Input Voltage	Input Current	Output Voltage	Output Current	Power Factor	Max. TC	Available Form Factors
DL210W180C	24V AC / DC 0-35KHz	0.42 A	18-55V DC	180 mA	0.80	90C°	A6, A7, A8, A9, Remote
DL210W200C	24V AC / DC 0-35KHz	0.42 A	18-50V DC	200 mA	0.80	90C°	A6, A7, A8, A9, Remote
DL210W320C	24V AC / DC 0-35KHz	0.42 A	18-31V DC	320 mA	0.80	90C°	A6, A7, A8, A9, Remote
DL210W350C	24V AC / DC 0-35KHz	0.42 A	18-28V DC	350 mA	0.80	90C°	A6, A7, A8, A9, Remote
DL210W480C	24V AC / DC 0-35KHz	0.42 A	10-20V DC	480 mA	0.80	90C°	A6, A7, A8, A9, Remote
DL210W520C	24V AC / DC 0-35KHz	0.42 A	10-19V DC	520 mA	0.80	90C°	A6, A7, A8, A9, Remote
DL210W580C	24V AC / DC 0-35KHz	0.42 A	10-17V DC	580 mA	0.80	90C°	A6, A7, A8, A9, Remote
DL210W600C	24V AC / DC 0-35KHz	0.42 A	10-16V DC	600 mA	0.80	90C°	A6, A7, A8, A9, Remote
DL210W680C	24V AC / DC 0-35KHz	0.42 A	10-15V DC	680 mA	0.80	90C°	A6, A7, A8, A9, Remote
DL210W700C	24V AC / DC 0-35KHz	0.42 A	10-14V DC	700 mA	0.80	90C°	A6, A7, A8, A9, Remote
DL210W780C	24V AC / DC 0-35KHz	0.42 A	05-13V DC	780 mA	0.80	90C°	A6, A7, A8, A9, Remote
DL210W850C	24V AC / DC 0-35KHz	0.42 A	05-11V DC	850 mA	0.80	90C°	A6, A7, A8, A9, Remote
DL210W1000C	24V AC / DC 0-35KHz	0.42 A	05-10V DC	1000 mA	0.80	90C°	A6, A7, A8, A9, Remote

Above models are also available as listed drivers (LD series) with external enclosure for remote mounting applications.

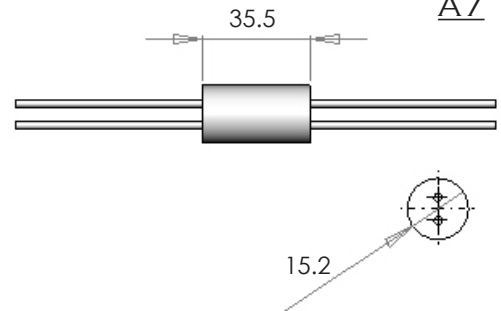
MECHANICAL SPECS.

"A6"	25x12.2 mm
"A7"	35.5x15.2 mm
"A8"	39.2x39.2x21.6 mm
"A9"	32x21x24 mm
Remote Enclosure	189.23x50.75x43.08 mm

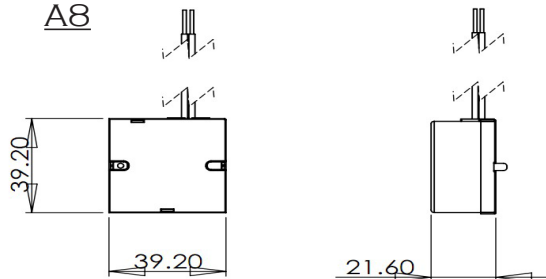
A6



A7



A8



A9

