



OEM Series 1000

# L.T.F. High CRI Recessed Light



## Architectural Grade LED Downlight REN5010WRR1W Series



General Information	
Wattage	12W
CCT	2700K - 5000K
Available CRI	>80/90
Size	90mm (OD)
Lumen Output	1000lm
Installation	Recessed
R9	55+



### FEATURES

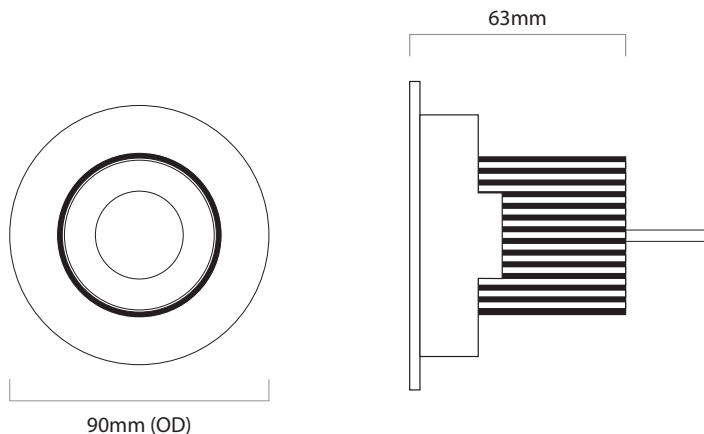
- Adjustable trim; ~5° angle
- High lumen output
- Easy installation
- Low profile design, no visible mounting
- Available in matte white, black, gray and custom finish
- Aluminum base for heat dissipation
- OEM exclusive fixture

Compatible LED Drivers		
Model	Output Current	Output Voltage
DA15W350C1042-30001	350mA	12-15V

### ELECTRICAL SPECS.

Model Number	Beam Angle	Input Voltage	Input Current	CRI	CCT	Finish
REN5010WRR1	15°	34V	350mA	90+	2700K	White Black Gray Custom
	24°				3000K	
	36°				4000K	
					5000K	

### MECHANICAL SPECS



Dimensions and Cut-Out Specs	
Size	90x82mm
Cut-out (mm)	75mm (OD)