

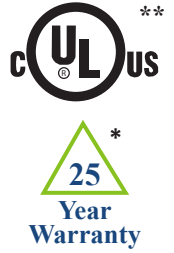


L.T.F. Magnetic Transformer

MTA96W & MTE96W Series



| | |
|------------------------|---------------------|
| Efficiency | 80% |
| Power Factor | >98% |
| Cast TC* | 90°C Max. |
| Protection | Input/ Output |
| Storage | -30°C/ +90°C |
| Humidity | 95% RH max |
| IP Rating | IP60,67 |
| Dimming | Magnetic Dimmer MLV |
| Dimensions -RE | 225x112x98mm |
| Dimensions -REO | 162x96x109mm |



FEATURES

- No load technology, works with both Halogen & LED AC loads **
- Isolated output power per NEC and UL safety requirements
- Short circuit, overload and thermal protection
- Dimmable with magnetic low voltage dimmers
- Multi-tap output 12, 13, 14, 15 and 24, 26, 28, 30
- Two finishes. Outdoor (-REO) models are stainless steel; Indoor (-RE) models powered finish

ELECTRICAL SPECIFICATIONS

| 120V | | | | | |
|-----------------|-----------------|---------------|----------------|----------------|--|
| Model # | Input Voltage | Input Current | Output Voltage | Output Current | Load Type |
| MTA96WA1215VRE | 120V AC 50/60Hz | 0.8A | 12V AC | 8.0A | AC LED Bulbs, Incandescent & Halogen Bulbs |
| MTA96WA2430VRE | 120V AC 50/60Hz | 0.8A | 24V AC | 4.0A | AC LED Bulbs, Incandescent & Halogen Bulbs |
| MTA96WA1215VREO | 120V AC 50/60Hz | 0.8A | 12V AC | 8.0A | AC LED Bulbs, Incandescent & Halogen Bulbs |
| MTA96WA2430VREO | 120V AC 50/60Hz | 0.8A | 24V AC | 4.0A | AC LED Bulbs, Incandescent & Halogen Bulbs |

| 277V | | | | | |
|-----------------|-----------------|---------------|----------------|----------------|--|
| Model # | Input Voltage | Input Current | Output Voltage | Output Current | Load Type |
| MTE96WA1215VRE | 277V AC 50/60Hz | 0.34A | 12V AC | 8.0A | AC LED Bulbs, Incandescent & Halogen Bulbs |
| MTE96WA2430VRE | 277V AC 50/60Hz | 0.34A | 24V AC | 4.0A | AC LED Bulbs, Incandescent & Halogen Bulbs |
| MTE96WA1215VREO | 277V AC 50/60Hz | 0.34A | 12V AC | 8.0A | AC LED Bulbs, Incandescent & Halogen Bulbs |
| MTE96WA2430VREO | 277V AC 50/60Hz | 0.34A | 24V AC | 4.0A | AC LED Bulbs, Incandescent & Halogen Bulbs |

* 25 year limited warranty

**Pending

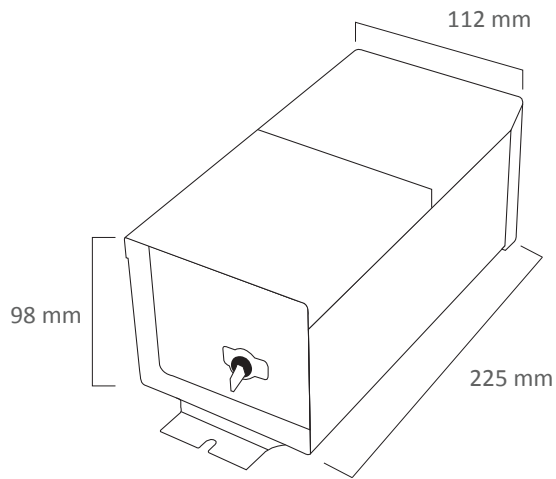
L.T.F., L.L.C. PHONE: (847) 498-5832 FAX: (773) 337-5628 EMAIL: sales@lfttechnology.com
Company's Address: 2905 MacArthur Blvd Northbrook, IL 60062 U.S.A. www.lfttechnology.com

© L.T.F., L.L.C. All rights reserved. L.T.F. reserves the right to change specification for product improvements without notification



MECHANICAL SPECS.

MTA1 -RE MODELS ONLY



MTA2 -REO MODELS ONLY

