



L.T.F.

Dimmable LED Driver - CLASS 2

30W Constant Current (350mA-1750mA)
D & LD Series -120V, 220-240V, 277V



Efficiency	higher than 80%
Power Factor	>95%
Case TC*	90°C Max
Protection	Input / Output
Storage	-30°C / +90°C
Humidity	95% RH max
IP Rating	IP 60
Class	Class 2 power supply
Dimming	Dimmable



RoHS

FEATURES

- Isolated output power per NEC and UL safety requirements
- ETL recognized/ Listed*, meets UL 8750, 1310 requirements
- Auto-reset ; Short circuit, Overload and Thermal protection
- Dimmable with ELV type dimmers
- Aluminum casing for optimal heat dissipation
- Low profile, small form factor
- Flicker free dimming
- Class 2 power supply
- Efficient, High power factor

ELECTRICAL SPECIFICATIONS

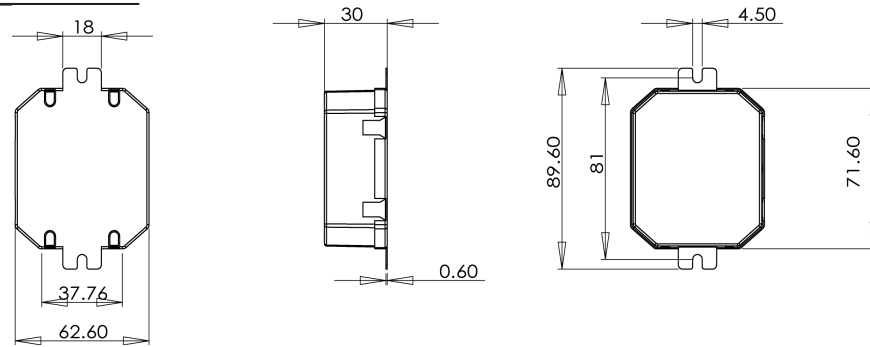
Model #	Input Voltage	Input Current	Output Voltage	Output Current	Power Factor	Max. Tc	Dimension**
DA30W700C	120V AC 50/60Hz	0.3 A	10-42V DC	700 mA	0.95	90°C	90(70)x63x30 mm
DA30W780C	120V AC 50/60Hz	0.3 A	10-38V DC	780 mA	0.95	90°C	90(70)x63x30 mm
DA30W960C	120V AC 50/60Hz	0.3 A	10-31V DC	960 mA	0.95	90°C	90(70)x63x30 mm
DA30W1050C	120V AC 50/60Hz	0.3 A	10-28V DC	1050 mA	0.95	90°C	90(70)x63x30 mm
DA30W1200C	120V AC 50/60Hz	0.3 A	10-25V DC	1200 mA	0.95	90°C	90(70)x63x30 mm
DA30W1600C	120V AC 50/60Hz	0.3 A	10-18V DC	1600 mA	0.95	90°C	90(70)x63x30 mm
DA30W1750C	120V AC 50/60Hz	0.3 A	10-17V DC	1750 mA	0.95	90°C	90(70)x63x30 mm
DE30W700C	277V AC 50/60Hz	0.12 A	10-42V DC	700 mA	0.95	90°C	90(70)x63x30 mm
DE30W780C	277V AC 50/60Hz	0.12 A	10-38V DC	780 mA	0.95	90°C	90(70)x63x30 mm
DE30W960C	277V AC 50/60Hz	0.12 A	10-31V DC	960 mA	0.95	90°C	90(70)x63x30 mm
DE30W1050C	277V AC 50/60Hz	0.12 A	10-28V DC	1050 mA	0.95	90°C	90(70)x63x30 mm
DE30W1200C	277V AC 50/60Hz	0.12 A	10-25V DC	1200 mA	0.95	90°C	90(70)x63x30 mm
DE30W1600C	277V AC 50/60Hz	0.12 A	10-18V DC	1600 mA	0.95	90°C	90(70)x63x30 mm
DE30W1750C	277V AC 50/60Hz	0.12 A	10-17V DC	1750 mA	0.95	90°C	90(70)x63x30 mm
DU30W700C	220-240V AC 50/60Hz	0.15 A	10-42V DC	700 mA	0.95	90°C	90(70)x63x30 mm
DU30W780C	220-240V AC 50/60Hz	0.15 A	10-38V DC	780 mA	0.95	90°C	90(70)x63x30 mm
DU30W960C	220-240V AC 50/60Hz	0.15 A	10-31V DC	960 mA	0.95	90°C	90(70)x63x30 mm



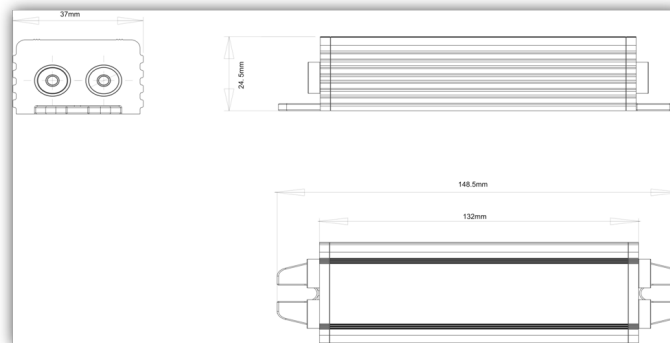
Model #	Input Voltage	Input Current	Output Voltage	Output Current	Power Factor	Max. Tc	Dimension**
DU30W1050C	220-240V AC 50/60Hz	0.15 A	10-28V DC	1050 mA	0.95	90C°	90(70)x63x30 mm
DU30W1200C	220-240V AC 50/60Hz	0.15 A	10-25V DC	1200 mA	0.95	90C°	90(70)x63x30 mm
DU30W1600C	220-240V AC 50/60Hz	0.15 A	10-18V DC	1600 mA	0.95	90C°	90(70)x63x30 mm
DU30W1750C	220-240V AC 50/60Hz	0.15 A	10-17V DC	1750 mA	0.95	90C°	90(70)x63x30 mm

MECHANICAL SPECS.

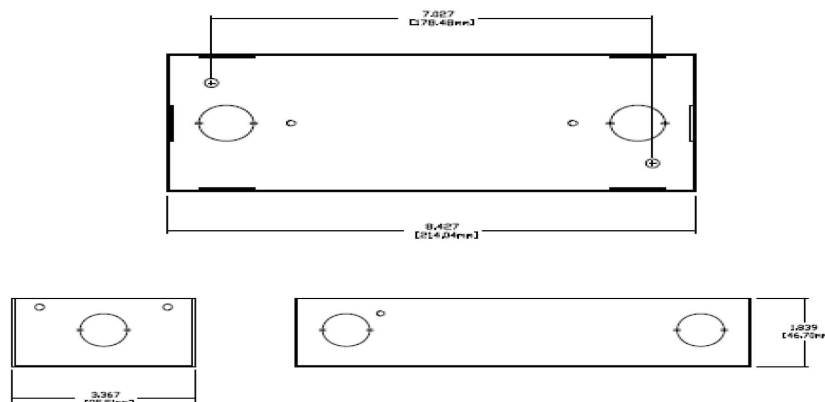
D SERIES



L1 SERIES WITH LINEAR ENCLOSURE



LD SERIES WITH REMOTE MOUNTING ENCLOSURE



*LD series are ETL listed, drivers are supplied with external enclosure (214X85X47 mm) for hardwiring.

**L1 Series size : 145X37X24.5mm

*** Also available as custom Current ,Voltage drive, IP, and enclosures.