



L.T.F Magnetic Transformer

MTA300W & MTE300W Series



Efficiency	80%
Power Factor	>98%
Cast TC*	90°C Max.
Protection	Input/ Output
Storage	-30°C/ +90°C
Humidity	95% RH max
IP Rating	IP60,67
Dimming	Magnetic Dimmer MLV
Dimensions -RE	225x112x98mm
Dimensions -REO	162x96x109mm



FEATURES

- No load technology, works with both Halogen & LED AC loads **
- Isolated output power per NEC and UL safety requirements
- Short circuit, overload and thermal protection
- Dimmable with magnetic low voltage dimmers
- Multi-tap output 12, 13, 14, 15 and 24, 26, 28, 30
- Two finishes. Outdoor (-REO) models are stainless steel; Indoor (-RE) models powered finish

ELECTRICAL SPECIFICATIONS

120V					
Model #	Input Voltage	Input Current	Output Voltage	Output Current	Load Type
MTA300WA1215VRE	120V AC 50/60Hz	2.5A	12V AC	12.5A	AC LED Bulbs, Incandescent & Halogen Bulbs
MTA300WA2430VRE	120V AC 50/60Hz	2.5A	24V AC	6.25A	AC LED Bulbs, Incandescent & Halogen Bulbs
MTA300WA1215VREO	120V AC 50/60Hz	2.5A	12V AC	12.5A	AC LED Bulbs, Incandescent & Halogen Bulbs
MTA300WA2430VREO	120V AC 50/60Hz	2.5A	24V AC	6.25A	AC LED Bulbs, Incandescent & Halogen Bulbs

277V					
Model #	Input Voltage	Input Current	Output Voltage	Output Current	Load Type
MTE300WA1215VRE	277V AC 50/60Hz	1.08A	12V AC	12.5A	AC LED Bulbs, Incandescent & Halogen Bulbs
MTE300WA2430VRE	277V AC 50/60Hz	1.08A	24V AC	6.25A	AC LED Bulbs, Incandescent & Halogen Bulbs
MTE300WA1215VREO	277V AC 50/60Hz	1.08A	12V AC	12.5A	AC LED Bulbs, Incandescent & Halogen Bulbs
MTE300WA2430VREO	277V AC 50/60Hz	1.08A	24V AC	6.25A	AC LED Bulbs, Incandescent & Halogen Bulbs

* 25 year limited warranty **Pending

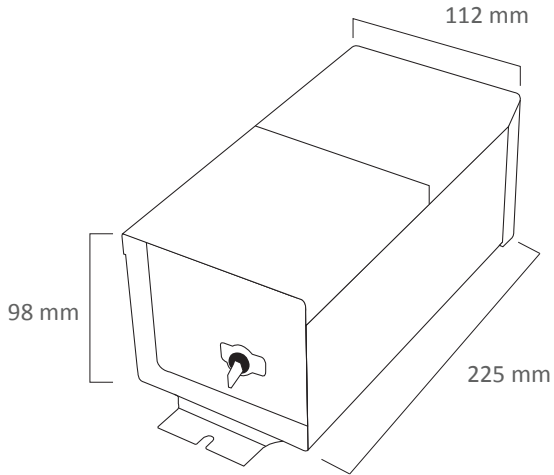
L.T.F, L.L.C. PHONE: (847) 498-5832 FAX: (773) 337-5628 EMAIL: sales@lfttechnology.com
Company's Address: 2905 MacArthur Blvd Northbrook, IL 60062 U.S.A. www.lfttechnology.com

© L.T.F, L.L.C. All rights reserved. L.T.F. reserves the right to change specification for product improvements without notification



MECHANICAL SPECS.

MTA1 -RE MODELS ONLY



MTA2 -REO MODELS ONLY

