



**L.T.F.**

## Dimmable LED Driver - CLASS 2

20W Constant Voltage 12 & 24V DC  
D & LD Series -120V, 220-240V, 277V



Efficiency	higher than 85%
Power Factor	>95%
Case TC*	90C° Max
Protection	Input / Output
Storage	-30°C / +90°C
Humidity	95% RH max
IP Rating	IP 60
Class	Class 2 power supply
Dimming	Dimmable



RoHS

### FEATURES

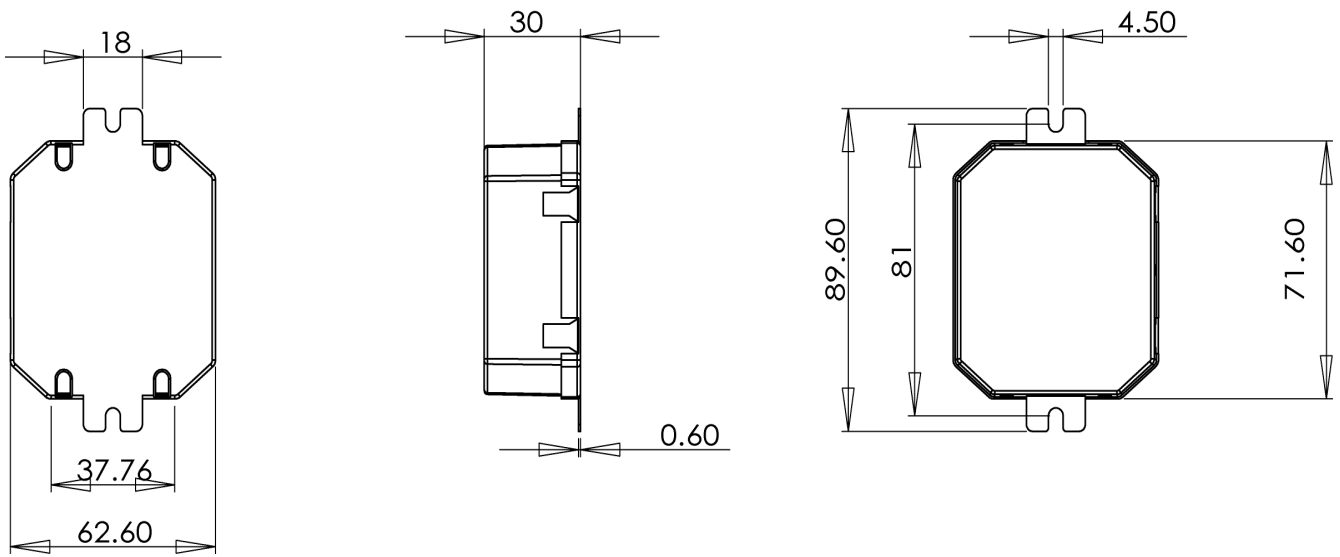
- Isolated output power per NEC and UL safety requirements
- ETL recognized/ Listed\*, meets UL 8750, 1310 requirements
- Auto-reset ; Short circuit, Overload and Thermal protection
- Dimmable with ELV type dimmers
- Aluminum casing for optimal heat dissipation
- Low profile, small form factor junction box mountable
- Flicker free dimming
- Class 2 power supply
- Efficient, High power factor

### ELECTRICAL SPECIFICATIONS

Model #	Input Voltage	Input Current	Output Voltage	Output Current	Power Factor	Max. Tc	Dimension
DA20W12V	120V AC 50/60Hz	0.2 A	12V DC	1.7 A	0.95	90C°	90(70)x63x30 mm
DA20W24V	120V AC 50/60Hz	0.2 A	24V DC	0.85 A	0.95	90C°	90(70)x63x30 mm
LDA20W12V	120V AC 50/60Hz	0.2 A	12V DC	1.7 A	0.95	90C°	*90(70)x63x30 mm
LDA20W24V	120V AC 50/60Hz	0.2 A	24V DC	0.85 A	0.95	90C°	*90(70)x63x30 mm
DE20W12V	277V AC 50/60Hz	0.08 A	12V DC	1.7 A	0.95	90C°	90(70)x63x30 mm
DE20W24V	277V AC 50/60Hz	0.08 A	24V DC	0.85 A	0.95	90C°	90(70)x63x30 mm
LDE20W12V	277V AC 50/60Hz	0.08 A	12V DC	1.7 A	0.95	90C°	*90(70)x63x30 mm
LDE20W24V	277V AC 50/60Hz	0.08 A	24V DC	0.85 A	0.95	90C°	*90(70)x63x30 mm
DU20W12V	220-240V AC 50/60Hz	0.1 A	12V DC	1.7 A	0.95	90C°	90(70)x63x30 mm
DU20W24V	220-240V AC 50/60Hz	0.1 A	24V DC	0.85 A	0.95	90C°	90(70)x63x30 mm
LDU20W12V	220-240V AC 50/60Hz	0.1 A	12V DC	1.7 A	0.95	90C°	*90(70)x63x30 mm
LDU20W24V	220-240V AC 50/60Hz	0.1 A	24V DC	0.85 A	0.95	90C°	*90(70)x63x30 mm



MECHANICAL SPECS.



\*LD series are ETL listed, drivers are supplied with external enclosure (214X85X47 mm) for hardwiring  
 \*\* Also available as custom Current ,Voltage drive, IP, and enclosures.