



L.T.F.

Dimmable LED Driver - CLASS 2

12W Constant Current (160mA-1000mA)
D & LD Series -120V, 220-240V, 277V



Efficiency	higher than 85%
Power Factor	>95%
Case TC*	90C° Max
Protection	Input / Output
Storage	-30°C / +90°C°
Humidity	95% RH max
IP Rating	IP 60
Class	Class 2 power supply
Dimming	Dimmable



RoHS

FEATURES

- Isolated output power per NEC and UL safety requirements
- ETL recognized/ Listed*, meets UL 8750, 1310 requirements
- Auto-reset ; Short circuit, Overload and Thermal protection
- Dimmable with ELV type dimmers
- Aluminum casing for optimal heat dissipation
- Low profile, small form factor junction box mountable
- Flicker free dimming
- Class 2 power supply
- Efficient, High power factor

ELECTRICAL SPECIFICATIONS

Model #	Input Voltage	Input Current	Output Voltage	Output Current	Power Factor	Max. Tc	Dimension
DA12W160C	120V AC 50/60Hz	0.12 A	10-58V DC	160 mA	0.95	90C°	85(68)x31x21 mm
DA12W320C	120V AC 50/60Hz	0.12 A	10-38V DC	320 mA	0.95	90C°	85(68)x31x21 mm
DA12W350C	120V AC 50/60Hz	0.12 A	10-34V DC	350 mA	0.95	90C°	85(68)x31x21 mm
DA12W420C	120V AC 50/60Hz	0.12 A	10-28V DC	420 mA	0.95	90C°	85(68)x31x21 mm
DA12W500C	120V AC 50/60Hz	0.12 A	10-24V DC	500 mA	0.95	90C°	85(68)x31x21 mm
DA12W700C	120V AC 50/60Hz	0.12 A	10-17V DC	700 mA	0.95	90C°	85(68)x31x21 mm
DA12W780C	120V AC 50/60Hz	0.12 A	10-15V DC	780 mA	0.95	90C°	85(68)x31x21 mm
DE12W160C	120V AC 50/60Hz	0.045 A	10-58V DC	160 mA	0.95	90C°	85(68)x31x21 mm
DE12W320C	120V AC 50/60Hz	0.045 A	10-38V DC	320 mA	0.95	90C°	85(68)x31x21 mm
DE12W350C	120V AC 50/60Hz	0.045 A	10-34V DC	350 mA	0.95	90C°	85(68)x31x21 mm
DE12W420C	120V AC 50/60Hz	0.045 A	10-28V DC	420 mA	0.95	90C°	85(68)x31x21 mm
DE12W500C	120V AC 50/60Hz	0.045 A	10-24V DC	500 mA	0.95	90C°	85(68)x31x21 mm
DE12W700C	120V AC 50/60Hz	0.045 A	10-17V DC	700 mA	0.95	90C°	85(68)x31x21 mm
DE12W780C	120V AC 50/60Hz	0.045 A	10-15V DC	780 mA	0.95	90C°	85(68)x31x21 mm
DU12W160C	220-240V AC 50/60Hz	0.055 A	10-58V DC	160 mA	0.95	90C°	85(68)x31x21 mm
DU12W320C	220-240V AC 50/60Hz	0.055 A	10-38V DC	320 mA	0.95	90C°	85(68)x31x21 mm

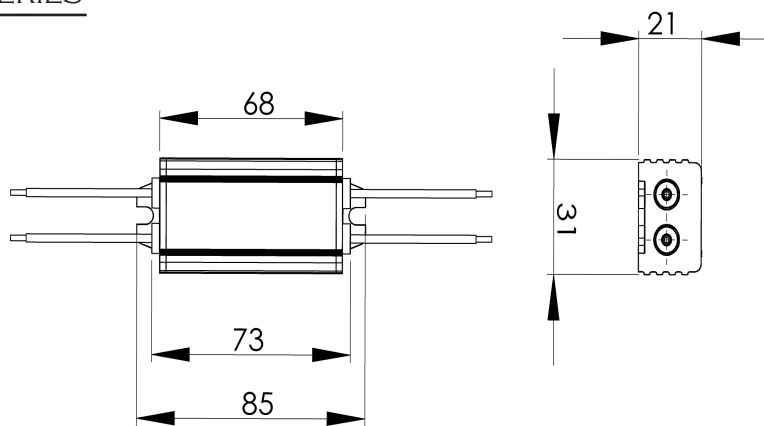
Dimmable LED Driver - CLASS 2



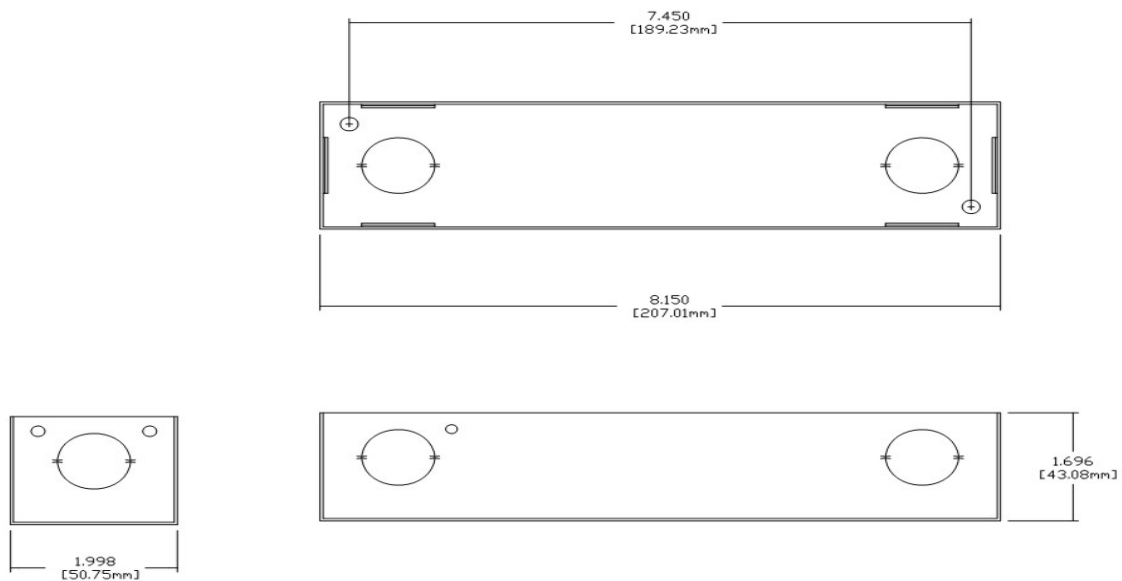
Model #	Input Voltage	Input Current	Output Voltage	Output Current	Power Factor	Max. Tc	Dimension
DU12W350C	220-240V AC 50/60Hz	0.055 A	10-34V DC	350 mA	0.95	90C°	85(68)x31x21 mm
DU12W420C	220-240V AC 50/60Hz	0.055 A	10-28V DC	420 mA	0.95	90C°	85(68)x31x21 mm
DU12W500C	220-240V AC 50/60Hz	0.055 A	10-24V DC	500 mA	0.95	90C°	85(68)x31x21 mm
DU12W700C	220-240V AC 50/60Hz	0.055 A	10-17V DC	700 mA	0.95	90C°	85(68)x31x21 mm
DU12W780C	220-240V AC 50/60Hz	0.055 A	10-15V DC	780 mA	0.95	90C°	85(68)x31x21 mm

MECHANICAL SPECS.

D SERIES



LD SERIES WITH REMOTE MOUNTING ENCLOSURE



*LD series are ETL listed, drivers are supplied with external enclosure (207X50X47 mm) for hardwiring
 ** Also available as custom Current ,Voltage drive, IP, and enclosures.