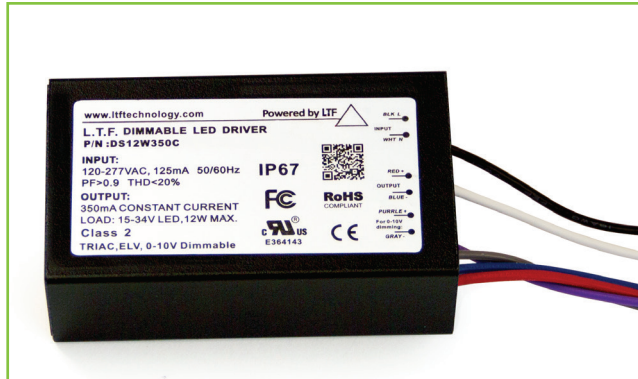




Dimmable Low Voltage UniDriver- CLASS 2



12W DS12W Unidriver 100-305V Series Constant Current / Constant Voltage



Efficiency	higher than 85%
Power Factor	>95%
Cast TC*	90°C Max.
Protection	Input / Output
Storage	-30°C / +90°C
Humidity	95% RH Max.
IP Rating	IP67
Class	Class 2 Power Supply
Dimming	Triac/ELV/0-10V
Output Voltage	280mA-1000mA



FEATURES

- All-In-One dimming capabilities; Triac, ELV, and 0-10V dimming
- Universal input voltage; 100-305V AC
- Isolated output power per NEC and UL safety requirements
- UL recognized/ Listed, UL8750, UL1310
- Auto-reset ; Short circuit, Overload and Thermal protection
- Superior thermal performance
- Aluminum case with high W/m.K encapsulating material
- Low profile, small form factor, junction box mountable
- < 30% flicker with excellent dimming range
- Class 2 power supply and other than Class 2 options
- Efficient, high power factor, low THD, FCC Class B



ELECTRICAL SPECIFICATIONS

Constant Current				
Model #	Input Voltage	Output Voltage	Output Current	Available Form Factors
DS12W280C2043UD	100-305V AC 50/60Hz > 0.90 PF < 20% THD	20-43VDC	280mA	MB1, F3
DS12W300C2040UD		20-40VDC	300mA	MB1, F3
DS12W320C1838UD		18V-38VDC	320mA	MB1, F3
DS12W350C1534UD		15-34VDC	350mA	MB1, F3
DS12W440C1028UD		10V-28VDC	440mA	MB1, F3
DS12W550C1022UD		10V-22VDC	550mA	MB1, F3
DS12W700C1017UD		10V-17VDC	700mA	MB1, F3
DS12W750C1016UD		10V-16VDC	750mA	MB1, F3
DS12W1000C1012UD		10V-12VDC	1000mA	MB1, F3

* Under confirmed thermal condition



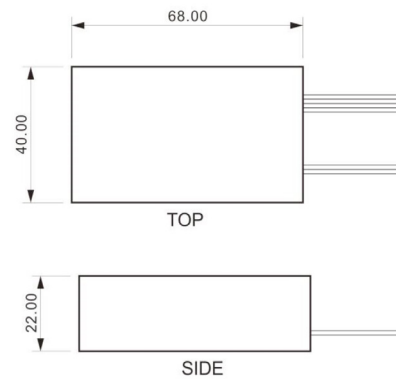
Constant Voltage				
Model #	Input Voltage	Output Voltage	Output Current	Available Form Factors
DS12W12VUD	100-305V AC 50/60Hz > 0.90 PF < 20% THD	12VDC	1000 mA	LS1
DS12W24VUD		24VDC	500 mA	LS1

Remote Enclosure Option	
Model #	Remote Enclosure
LDS12WXXXXRE	G1
LDS12WXXXXREO	G4

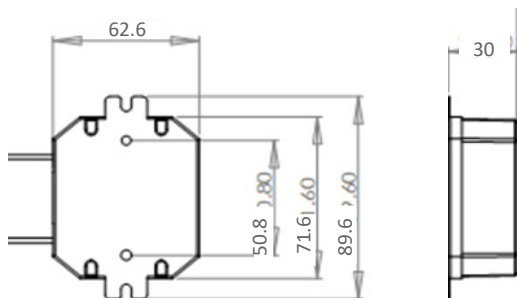
MECHANICAL SPECS.

Available Form Factors	Dimensions
"MB1"	68x40x22mm
"F3"	71.6x62.6x30mm
"LS1"	177x30x20mm
"BF"	77.4x39x25mm
"BF1"	77.4x39x25mm
"G1"	207X50.8X43mm
"G4"	238X66X48mm

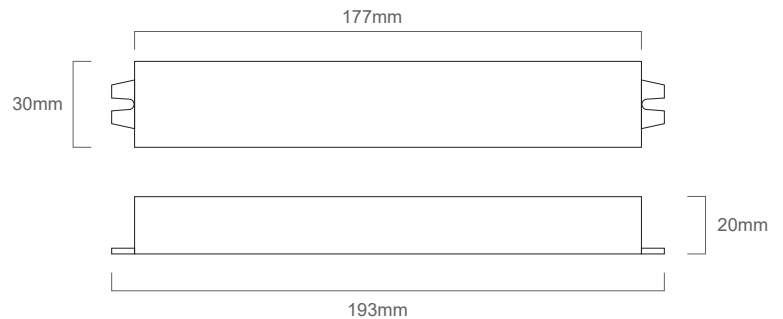
MB1



F3



LS1



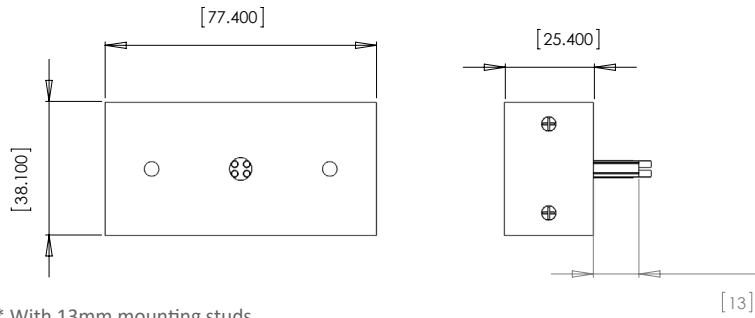


L.T.F.

L.T.F.

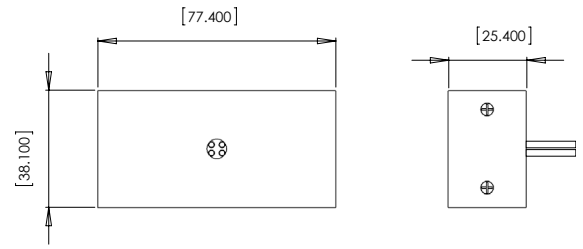


BF*



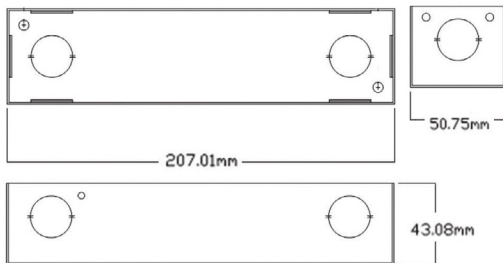
* With 13mm mounting studs

BF1**

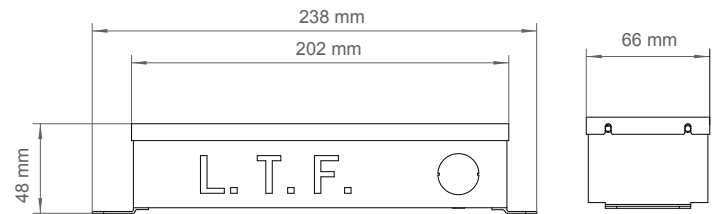


** Without 13mm mounting studs

G1



G4



12W DC Class 2 Power Supply DS12W Series 90-305V



Efficiency	higher than 85%
Power Factor	>92%
Case TC*	85°C Max
Protection	Input / Output
Storage	-40°C / +85°C
Humidity	95% RH max
IP Rating	IP 66
Class	Class 2 power supply
Dimming	0 -10 Dimming
Optional Dimming	Phase Dimming

FEATURES

- UL8750, EN61347, UL1310, UL48, cUL, CE, TUV, KAMA, CQC compliant
- FCC Part 15/18 Class B and EN55015 compliant
- Meet the RoHS directive; IP66 compliant,
- Suitable for high-temperature, high-dust location
- Suitable for indoor or outdoor applications
- Suitable in standard electrical junction boxes
- Compact, lightweight
- Single output, ranged from 4VDC up to 114VDC
- Active PFC reduces power consumption
- Isolation between primary and secondary

ENVIRONMENTAL SPECIFICATIONS

1. Operating temperature: -30 to +60°C
2. Storage temperature range: -40 to +85°C
3. Humidity (non-condensing): 5% - 95%RH
4. Cooling: Free air cooling Convection
5. Vibration Frequency: 5-55Hz/2g, 30 minutes
6. Impact resistance: 1g/s
7. MTBF: 482,000 hours at full load and 40°C ambient conditions
8. EMC:
 - Compliant to CISPR 22 CLASS B, CISPR 14-1 CLASS B, GB4343. 1-2003, GB17625.1-2003
 - Continuous interference voltage test conforming to GB4343-2003+A1, CISPR 14-1: 1997, EN55014-1:1997-5
 - Intermittent interference voltage test conforming to GB4343-2003+A1, CISPR 14-1: 1997, EN55014-1:1997-5
 - Interference power test conforming to GB4343-2003+A1, CISPR 14-1:1997, EN55014-1:1997-6
 - Harmonic currents test conforming to GB4343-2003+A1, CISPR 14-1:EN 61000-3-2:1995
 - RF Electromagnetic Field Immunity test conforming to GB/T13926.3, IEC61000-4-3, PrEN55014-2 Section 6.5
 - Electrical fast transient/burst immunity test conforming to GB/T13926.4, IEC61000-4-4, PrEN55014-2 section 6.2
 - Voltage dips and short interrupts immunity test conforming to IEC61000-4-11
 - Voltage variations immunity test conforming to IEC61000-4-11
 - Electrostatic discharge immunity test conforming to IEC61000-4-11



ELECTRICAL SPECIFICATIONS

- Input range: 90 to 305VAC
- Frequency: 47- 63HZ
- Power Factor: > 92% at full load
- Inrush current: <10A at 25C, 230V, cold start
- Input current: 0.3A at 120V
- Efficiency: 85% (typical at maximum load)
- Maximum power: 12W
- Current accuracy: ±3%, Load regulation accuracy: ±4%
- Optional DC Dimming control: 0-10Vdc, 2mA, 2-wire.
- Optional RD Dimming control: 3-wire 50KΩ Resistance Dimming
- Leakage current: 400uA (typical)
- Hold up time: half cycle
- Output over-voltage protection function: Less than 1.3 times the maximum output voltage;
- Output over-current protection: Less than 1.1 times the maximum output current;
- Output short circuit protection: Unlimited short-circuit, or long-term short-circuit, self-recovery after withdrawal;

Constant Current						
Model #	Output Voltage	Output Current	Current Accuracy	Power Factor	Output Power	Max Efficiency
DS12W0250C	15-48V DC	250mA	±3%	95%	12W	87%
DS12W0280C	15-43V DC	280mA	±3%	95%	12W	87%
DS12W0350C	15-34V DC	350mA	±3%	95%	12W	87%
DS12W0500C	10-24V DC	500mA	±3%	95%	12W	87%
DS12W0550C	10-22V DC	550mA	±3%	95%	12W	87%
DS12W0600C	10-20V DC	600mA	±3%	95%	12W	87%
DS12W0700C	10-17V DC	700mA	±3%	95%	12W	87%
DS12W01000C	4-12V DC	1000mA	±3%	95%	12W	87%

Dimming Guide	
Model #	Dimming Code
DS12W-XX-CXXX-D010	0 - 10 Dimming
DS12W-XX-CXXX-PD	PWM Dimming



Constant Voltage							
Model #	Output Voltage	Max. Output Current	Min. Output Current	Voltage Accuracy	Power Factor	Output Power	Max. Efficiency
DS12W36V	36V DC	330mA	55mA	±5%	95%	12W	87%
DS12W24V	24V DC	500mA	83mA	±5%	95%	12W	87%
DS12W18V	18V DC	670mA	110mA	±5%	95%	12W	86%
DS12W12V	12V DC	1000mA	166mA	±5%	95%	12W	85%

Note: refer to 220V input power factor and maximum output. At 120V input and maximum output, power factor is 98%.

DIMMING SPECIFICATIONS

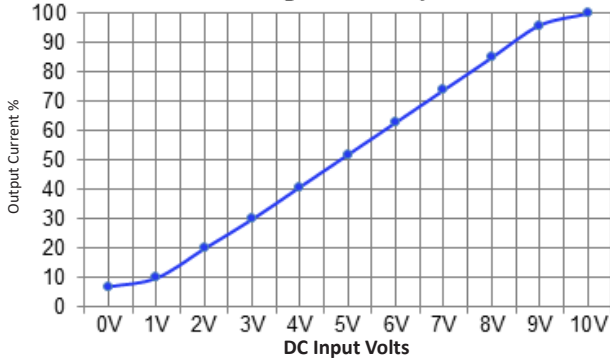
- Optional 0-10V Dimming control:
 - Directness Dimming Mode;
 - Input Voltage Range 0-10Vdc, When Output constant current Adjustable range: 10%-MAX; When input >10V, Costant current output for maximum value; When input ≤ 0V (Include input open circuit), Constant current output for 10%;
 - Input impedance 5KΩ, dimming response time : 20ms;
 - Input Current: MAX. 2mA;

PD 2-Wire PWM Positive Dimming Scheme			
Parameters	Minimum	Typical	Maximum
10V Source Output	9.2V	10.0V	10.8V
Absolute Voltage Range on PWM Input	-2.0V	12V	+28V
Input LOW Level Voltage Range	+2.0V	---	+7.5V
Input HIGH Level Voltage Range	+9.0V	---	+28V

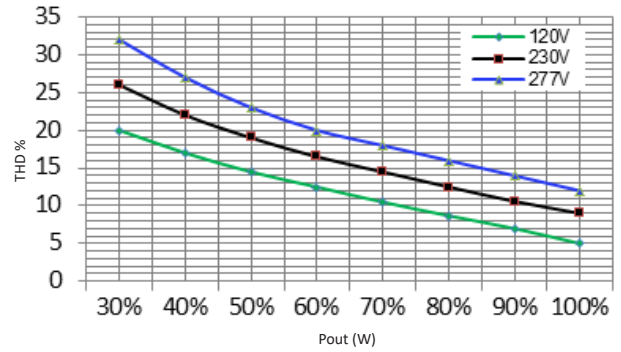


TECHNICAL SPECS.

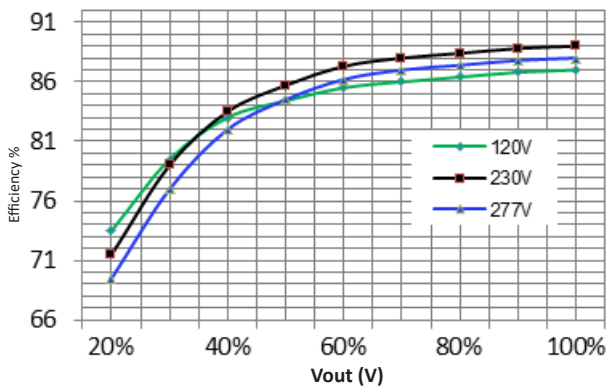
Dimming vs. 0-10V Input



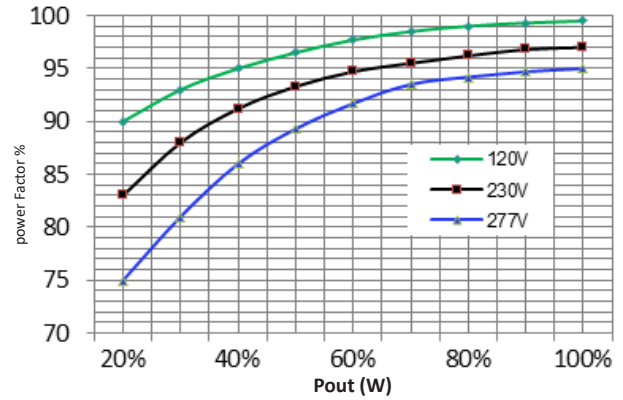
THD vs. Pout



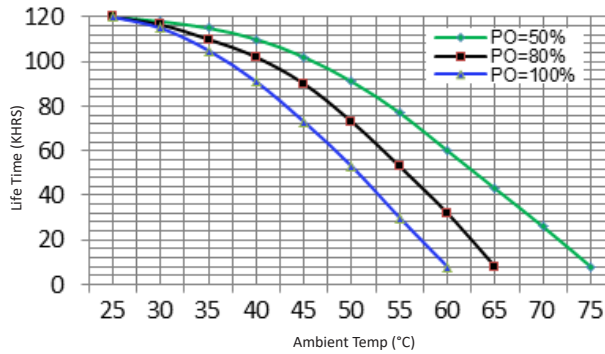
Efficiency vs. Vout at 80°C case



PF vs. Pout at 80°C case



Life Time vs. Ambient Temp





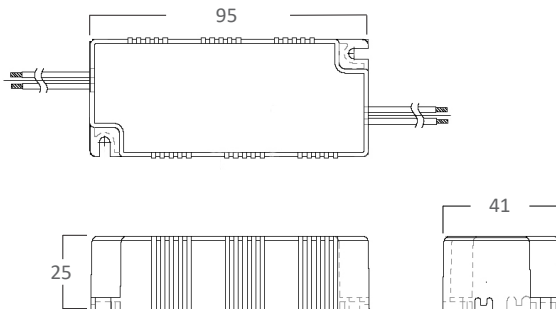
INSTALLATION SPECIFICATIONS

- Plastic enclosure, Used with thermal conductivity and flame retardant glue potting.
- AC input for connection the two core ANSI/UL1015/AWG18 temperature 105 °C core copper wire connection, Cable Length: 150mm, Stripping on the tin: 10mm.
- DC output for connection the two core ANSI/UL1569/AWG14 temperature 105 °C core copper wire, Cable Length: 150mm, Stripping on the tin: 10mm.
- The dimmer control input is the two copper wires, ANSI/UL1569/AWG24 & temperature 105 ° C, Cable Length: 150mm, Stripping on the tin: 10mm.
- Where: 0-10V (or PWM) input — Purple wire, GND — Grey wire.
- This product has two $\Phi 3.6$ mm mounting holes.

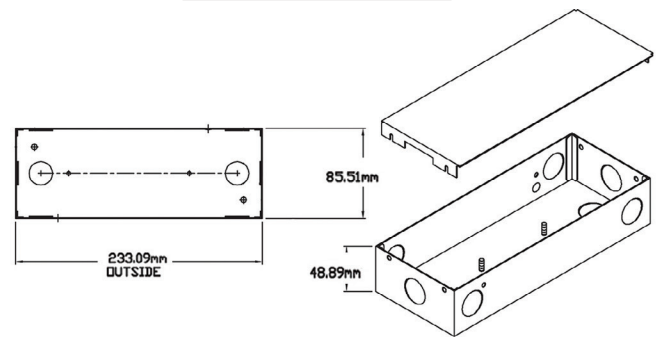
MECHANICAL SPECS.

Available Form Factors	Dimensions
"L5"	95x41x25mm
Remote Enclosure	
"G2"	233.1X85.5X48.9mm
"G3"	280X103X56mm

L5



G2 : -RE MODELS



G3 : -REO MODELS

