



L.T.F.

Dimmable LED Driver - CLASS 2

10W Constant Current (160mA-1000mA)
D & LD Series -120V, 220-240V, 277V



Efficiency	higher than 85%
Power Factor	>95%
Case TC*	90C° Max
Protection	Input / Output
Storage	-30°C / +90°C
Humidity	95% RH max
IP Rating	IP 60
Class	Class 2 power supply
Dimming	Dimmable



RoHS

FEATURES

- Isolated output power per NEC and UL safety requirements
- ETL recognized/ Listed*, meets UL 8750, 1310 requirements
- Auto-reset ; Short circuit, Overload and Thermal protection
- Dimmable with ELV type dimmers
- Aluminum casing for optimal heat dissipation
- Low profile, small form factor, junction box mountable
- Flicker free dimming
- Class 2 power supply
- Efficient, High power factor

ELECTRICAL SPECIFICATIONS

Model #	Input Voltage	Input Current	Output Voltage	Output Current	Power Factor	Max. Tc	Dimension
DA10W160C	120V AC 50/60Hz	0.085 A	10-40V DC	160 mA	0.95	90C°	85(68)x31x21 mm
DA10W320C	120V AC 50/60Hz	0.085 A	10-32V DC	320 mA	0.95	90C°	85(68)x31x21 mm
DA10W350C	120V AC 50/60Hz	0.085 A	10-29V DC	350 mA	0.95	90C°	85(68)x31x21 mm
DA10W420C	120V AC 50/60Hz	0.085 A	10-24V DC	420 mA	0.95	90C°	85(68)x31x21 mm
DA10W500C	120V AC 50/60Hz	0.085 A	10-20V DC	500 mA	0.95	90C°	85(68)x31x21 mm
DA10W700C	120V AC 50/60Hz	0.085 A	10-14V DC	700 mA	0.95	90C°	85(68)x31x21 mm
DA10W780C	120V AC 50/60Hz	0.085 A	10-12V DC	780 mA	0.95	90C°	85(68)x31x21 mm
DE10W160C	277V AC 50/60Hz	0.035 A	10-40V DC	160 mA	0.95	90C°	85(68)x31x21 mm
DE10W320C	277V AC 50/60Hz	0.035 A	10-32V DC	320 mA	0.95	90C°	85(68)x31x21 mm
DE10W350C	277V AC 50/60Hz	0.035 A	10-29V DC	350 mA	0.95	90C°	85(68)x31x21 mm
DE10W420C	277V AC 50/60Hz	0.035 A	10-24V DC	420 mA	0.95	90C°	85(68)x31x21 mm
DE10W500C	277V AC 50/60Hz	0.035 A	10-20V DC	500 mA	0.95	90C°	85(68)x31x21 mm
DE10W700C	277V AC 50/60Hz	0.035 A	10-14V DC	700 mA	0.95	90C°	85(68)x31x21 mm
DE10W780C	277V AC 50/60Hz	0.035 A	10-12V DC	780 mA	0.95	90C°	85(68)x31x21 mm
DU10W160C	220-240V AC 50/60Hz	0.045 A	10-40V DC	160 mA	0.95	90C°	85(68)x31x21 mm
DU10W320C	220-240V AC 50/60Hz	0.045 A	10-32V DC	320 mA	0.95	90C°	85(68)x31x21 mm
DU10W350C	220-240V AC 50/60Hz	0.045 A	10-29V DC	350 mA	0.95	90C°	85(68)x31x21 mm
DU10W420C	220-240V AC 50/60Hz	0.045 A	10-24V DC	420 mA	0.95	90C°	85(68)x31x21 mm

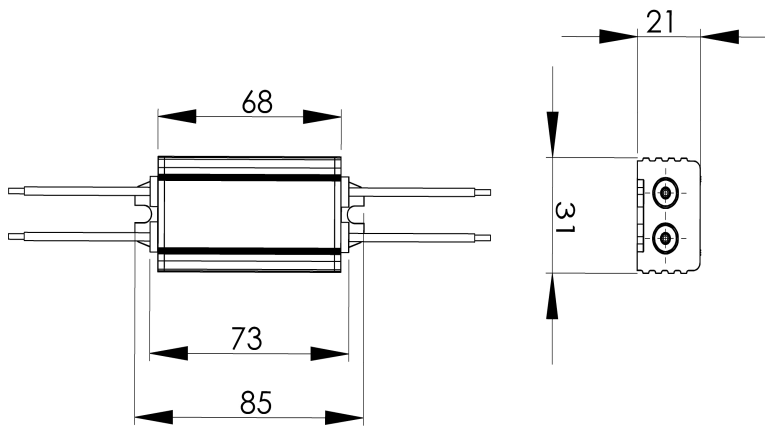
Dimmable LED Driver - CLASS 2



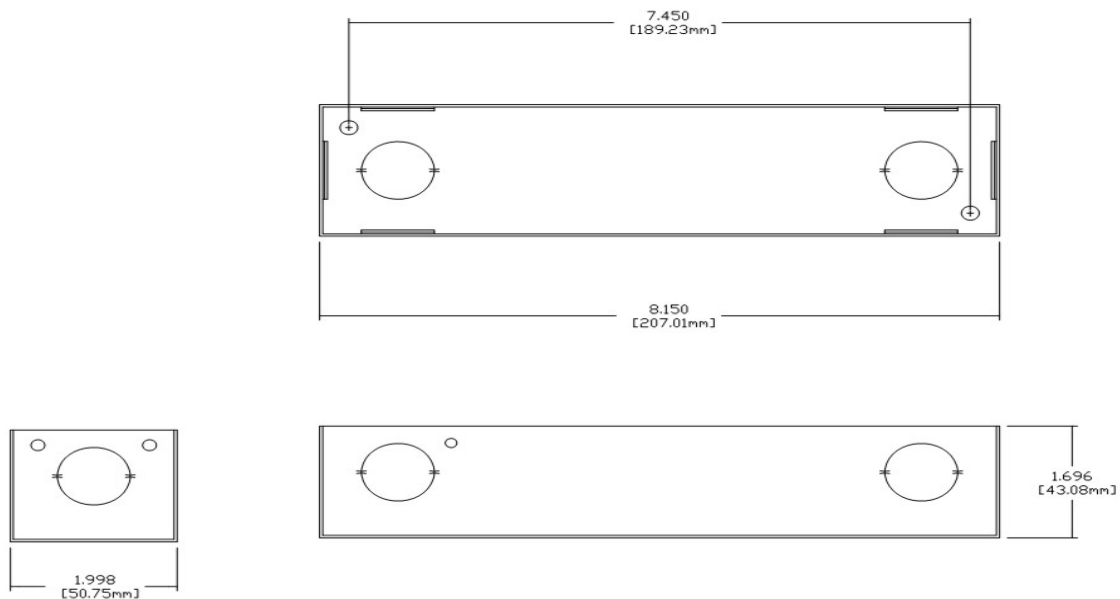
Model #	Input Voltage	Input Current	Output Voltage	Output Current	Power Factor	Max. Tc	Dimension
DU10W500C	220-240V AC 50/60Hz	0.045 A	10-20V DC	500 mA	0.95	90C°	85(68)x31x21 mm
DU10W700C	220-240V AC 50/60Hz	0.045 A	10-14V DC	700 mA	0.95	90C°	85(68)x31x21 mm
DU10W780C	220-240V AC 50/60Hz	0.045 A	10-12V DC	780 mA	0.95	90C°	85(68)x31x21 mm

MECHANICAL SPECS.

D SERIES



LD SERIES WITH REMOTE MOUNTING ENCLOSURE



*LD series are ETL listed, drivers are supplied with external enclosure (207X50X47 mm) for hardwiring
 ** Also available as custom Current ,Voltage drive, IP, and enclosures.